

MD9 GAS BLOWBACK GUN , CAL.6MM

# INSTRUCTION MANUAL

MANUFACTURED BY VEGAFORCECOMPANY, 100% MADE IN TAIWAN

**MAXIM**  
DEFENSE™





**MAXIM**  
DEFENSE™  
AIRSOFT PRODUCTS

MANUFACTURED BY VEGA FORCE COMPANY, 100% MADE IN TAIWAN

# SAFE GUN HANDLING

You should be fully familiar with the proper and safe handling with your Airsoft gun. The basic principles of gun safety require you to always apply the following rules when handling an Airsoft gun.

您必須完全了解玩具槍正確的操作以及安全守則。  
為了您使用上的安全，你必須遵循以下的各項規則。

Always wear eye protective gear.

始終配戴護目鏡

You may be punished if you are shooting for practical jokes.

若隨意用玩具槍開玩笑可能會觸及法律

Never shoot the gun at places where people and cars pass cross.

切勿在有人及汽車經過的地方開槍

Never aim or shoot a person or animal as a target.

切勿將人或動物做為目標射擊

Never look into the gun muzzle.

切勿直視槍口

Always direct the muzzle towards a safe direction.

始終將槍口朝向安全位置

Avoid pulling the trigger carelessly.

避免不小心拉動扳機

Please keep your fingers away from the trigger, except when you are ready to shoot a target.

除準備射擊目標外，請不要將手指放在扳機上

Always put the gun in a case or bag when you are carrying it.

攜帶槍枝時請將其放在箱子或袋子中

Keep out of reach of children.

請將本品放在兒童無法觸及的地方

DO NOT ATTEMPT TO DISASSEMBLE OR TAMPER WITH YOUR AIRSOFT GUN. CONTACT CUSTOMER SERVICE AT VFC FOR REPAIR.

請勿嘗試拆卸或變造玩具槍。有維修需求時，請聯絡VFC的客戶服務進行維修。

**⚠ WARNING:** DO NOT BRANDISH OR DISPLAY THIS AIRSOFT GUN IN PUBLIC-IT MAY CONFUSE PEOPLE AND MAY BE A CRIME. POLICE AND OTHERS MAY THINK THIS AIRGUN IS A FIREARM. DO NOT CHANGE THE COLORATION AND MARKINGS TO MAKE IT LOOK MORE LIKE A FIREARM. THIS IS DANGEROUS AND MAY BE A CRIME.

請勿在公共場所揮舞或展示玩具槍，以免造成他人困擾及恐慌，警察與其它民眾可能會認為玩具是真槍，並可能構成犯罪行為。請勿變造玩具槍的外觀與機構，使玩具槍更像真槍，此為非法行為。

**⚠ CAUTION:**  
EYE PROTECTION  
REQUIRED  
WEAR YOUR  
SHOOTING GLASSES

請注意  
眼睛的保護

並於射擊時  
戴上護目鏡

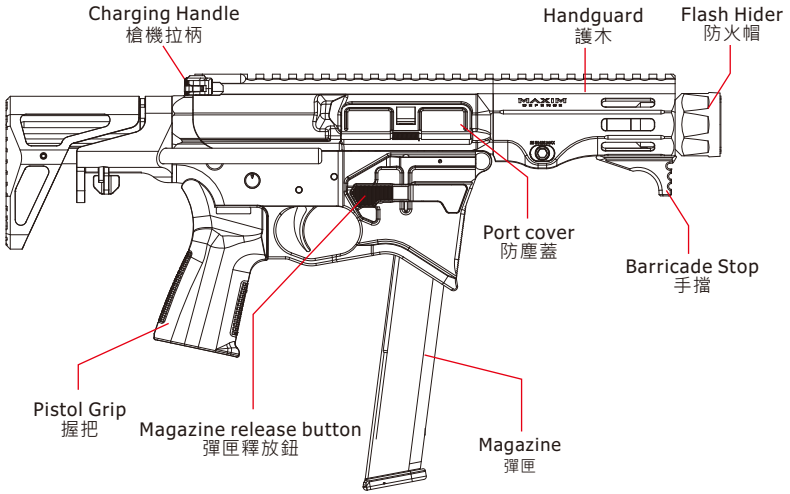


**⚠ WARNING:** ADULT SUPERVISION IS REQUIRED. MISUSE MAY CAUSE SERIOUS INJURY, ESPECIALLY TO THE EYE. EYE PROTECTION DESIGNED FOR AIRSOFT GUNS MUST BE WORN BY THE USER AND ANY PERSON WITHIN RANGE. READ THUS OWNER'S MANUAL BEFORE USING. MAY BE DANGEROUS UP TO 200 METERS.

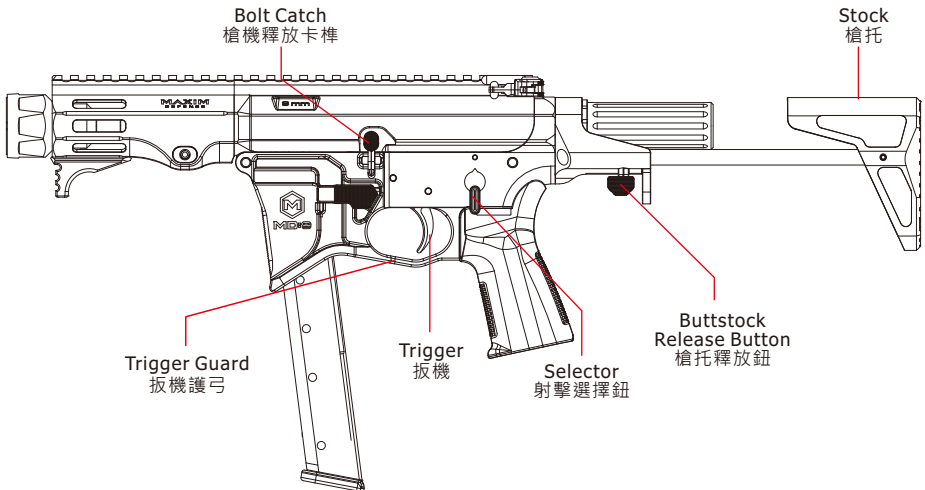
未成年使用時需有成人監督。錯誤操作可能造成嚴重傷害，特別是眼睛。使用者與周遭的人務必配戴護目鏡。使用請保持安全距離(最高200米)。使用前請詳閱操作說明書，避免發生危險。

# -COMPONENTS-

## •RIGHT SIDE

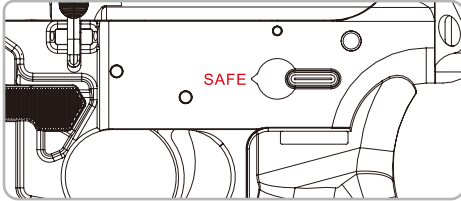


## •LEFT SIDE





## -SAFETY SETTING-

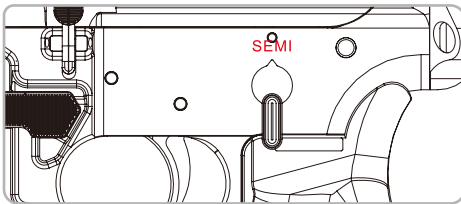


### Safety Setting 保險位置 (The trigger can not be pulled)

無法扣動扳機

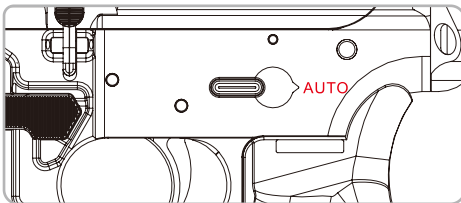
Always set lever to SAFE position when gun is not in use.

在未使用玩具槍的狀態下，始終將射擊選擇鈕保持在保險位置。



### Semi Auto 半自動

Pulled the trigger, the gun will fire one shot each time.  
拉動一次扳機，則發射一發子彈



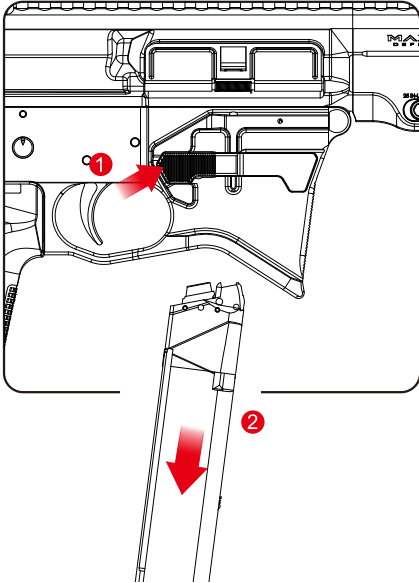
### Full Auto 全自動

The gun will fire automatically while the trigger remains pulled.  
扣著扳機不放將連續發射子彈

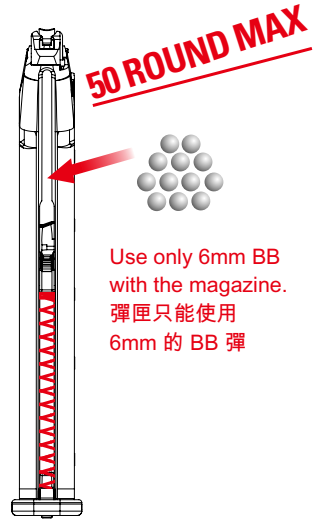
### WARNING · CAUTION

- Do not operate the selector lever while the trigger is depressed. Damage and malfunction will occur if you attempt to do so.  
請勿在扣壓扳機的同時，切換射擊選擇鈕，這樣會造成玩具槍的故障。
- Do not pull the trigger while the selector is on SAFE. Doing so will damage the trigger and safety mechanisms.  
當射擊選擇鈕處於保險狀態，請勿去拉動扳機，這樣容易造成扳機與保險裝置的損壞。

## -LOADING MAGAZINE-

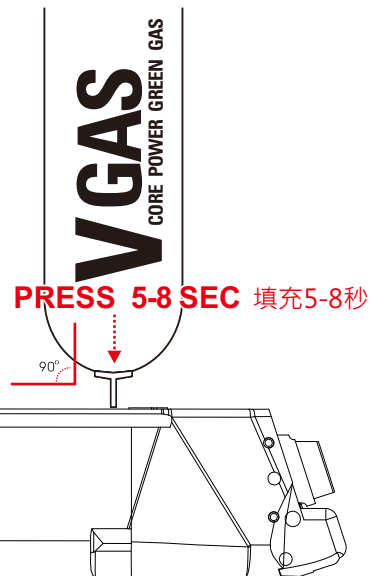
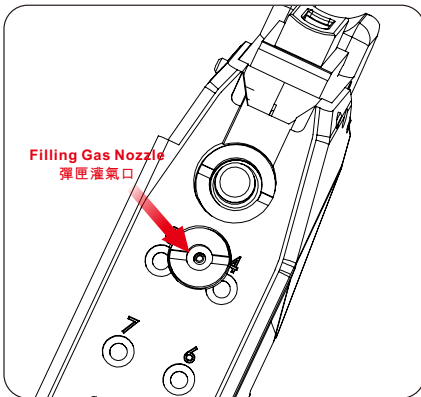


Press the magazine release button to remove the magazine.  
按壓彈匣釋放鈕並卸除彈匣



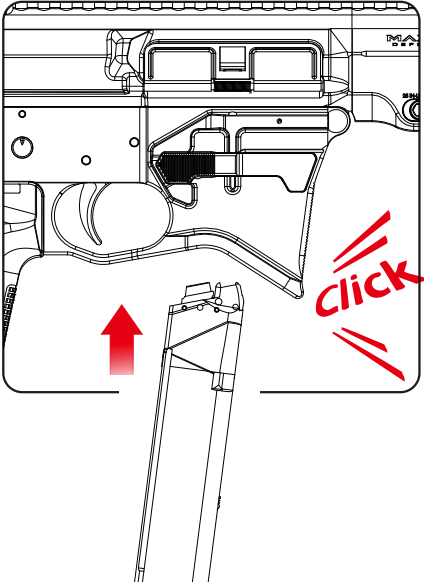
Push the gas canister nozzle into the Filling gas nozzle. Make sure the canister is in vertical position when charging.

將瓦斯罐接嘴對準並接上彈匣灌氣口，用力壓下開始填充。  
並確保彈匣灌氣口與瓦斯罐接嘴的垂直。





## -LOADING MAGAZINE-



### WARNING · CAUTION

- Always use high quality 0.20 gram or heavier BB in your airsoft rifle.  
請使用高品質的 0.20 克或是更重的 BB 彈。

We will not be held responsible for any damage or incidents arising from use of poor quality or underweight BB.  
對於因使用品質差或重量不足的 BB 彈造成的損壞，本公司概不負責。

Make sure to set the magazine upwards and connect it firmly until a click sound is heard.

將彈匣向上推入彈匣井內，確保彈匣插入方向正確。

向上插入直到聽到喀噠聲為止。

**For the better performance of the GBB rifle. Do not shoot the rifle right after charging the gas.**

為了獲得最佳的效能，填充瓦斯完畢請勿立即開槍射擊。

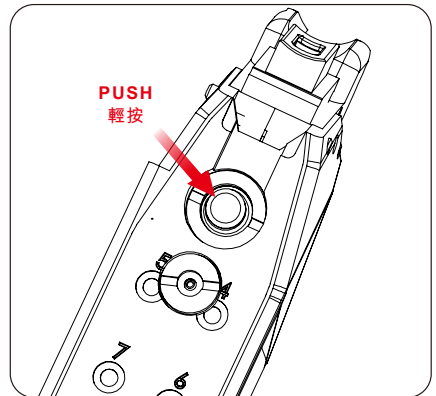
### WARNING · CAUTION

- You may experience a delay action if the surrounding temperature drops below 20°C/68°F. Remember, do not expose magazine directly under the sun or incinerate the magazine, it may cause bursting. It is strongly recommended to empty gas from magazine after shooting. Be sure to avoid direct gas contact with Eyes or Skin when gas is being released, it will cause frostbite.

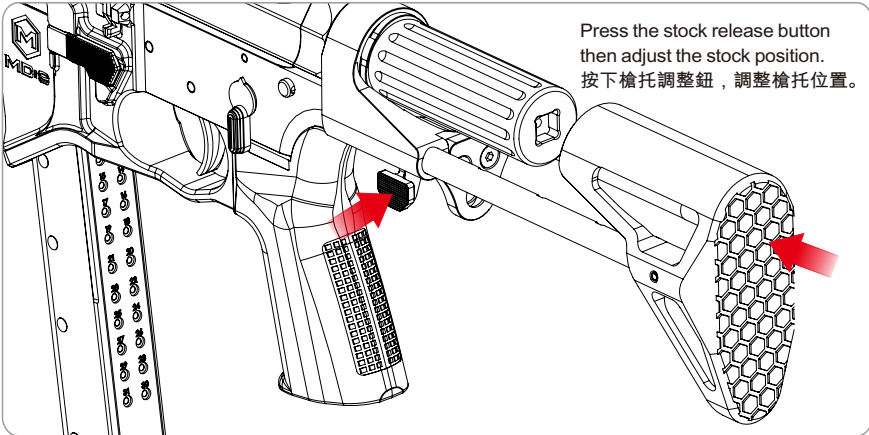
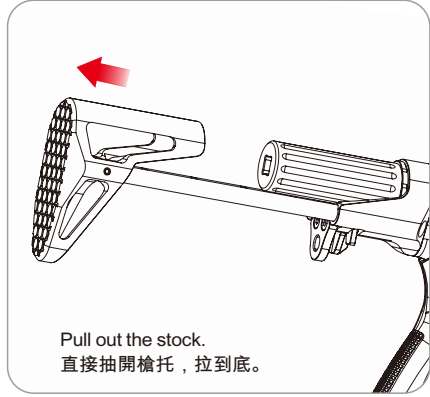
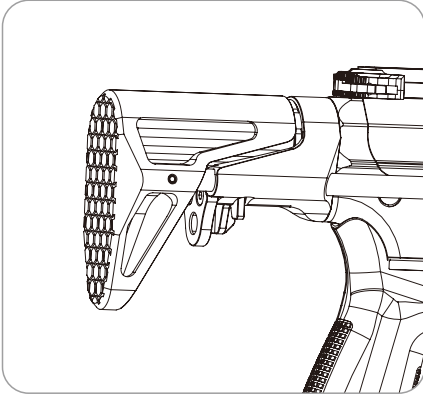
若在環境溫度 20°C/68°F 以下可能瓦斯作用可能會較緩慢，避免將彈匣於陽光底下直射曝曬以及遠離火源，否則可能導致爆炸。強烈建議射擊後將瓦斯從彈匣中釋放，釋放瓦斯時避免直接接觸到眼睛及皮膚以防凍傷。

Please discharge the magazine by press the value gently, for releasing residual gas.

請按下氣閥釋放鈕，釋放彈匣內殘餘的瓦斯



## -ADJUSTING THE STOCK-



### WARNING • CAUTION

- Be careful not to catch your fingers when operating buttstock functions. 在調整槍托位置時，請小心不要夾到手指。

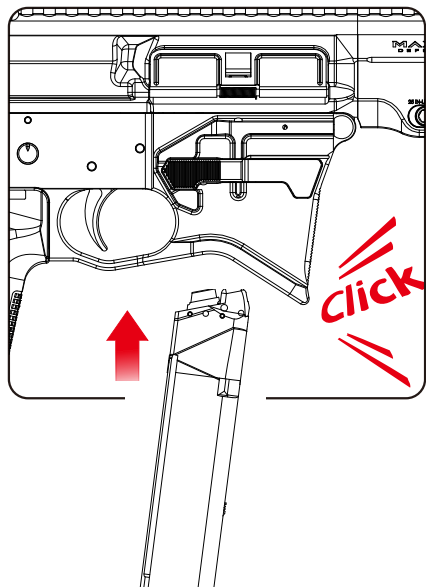


## -SETTING AND FIRING-

### ●Insert The Magazine

Push magazine up in to magazine well.  
Make sure to set the magazine upwards  
and connect it firmly until a **CLICK SOUND**  
is heard.

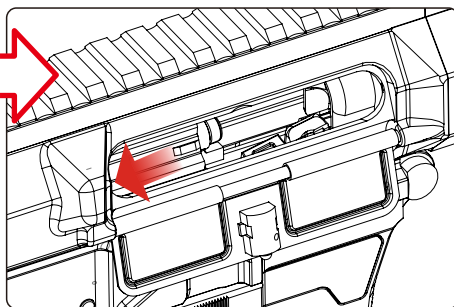
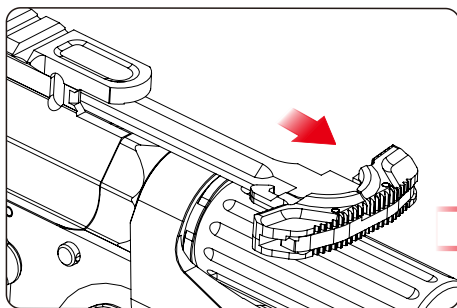
將彈匣向上推入彈匣井內，確保彈匣插入方向正確。  
向上插入直到聽到**喀噠聲**為止。



### ●Check The Chamber

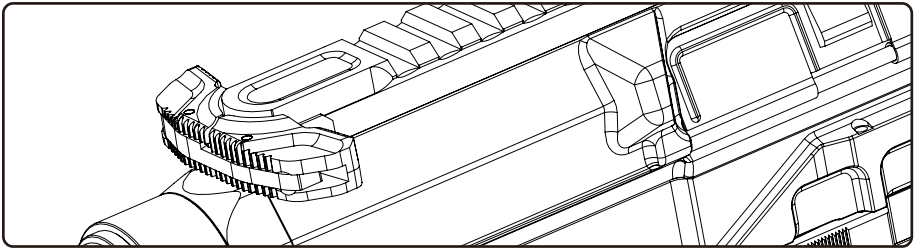
Open bolt and check firing chamber.  
Make sure it is clear.

槍機後定，確認槍腔內暢通無異物。

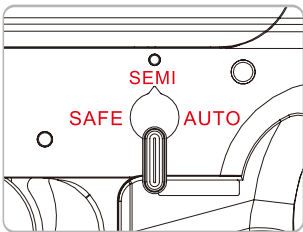


## ●Return The Charging Handle

Press the charging handle forward and lock it into position.  
推動槍機拉柄復位。

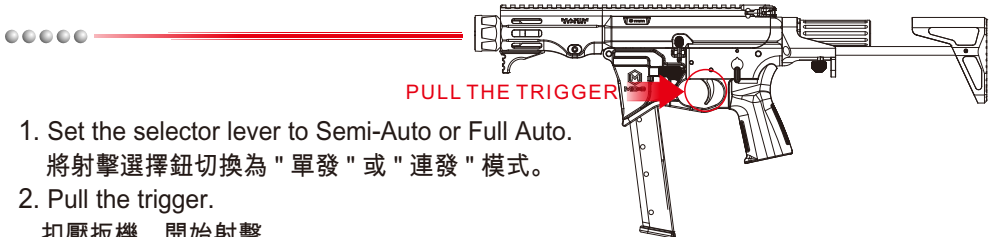


## ●Firing Mode Select



### WARNING • CAUTION

- Confirm selector is off SAFE before firing the gun.  
確認射擊選擇鈕已經關閉保險後開始射擊。
- Pulling the trigger while the selector is on SAFE will damage the gun and cause it to malfunction.  
當射擊選擇鈕切換為保險狀態時，扣壓扳機有可能導致故障。



1. Set the selector lever to Semi-Auto or Full Auto.  
將射擊選擇鈕切換為 "單發" 或 "連發" 模式。
2. Pull the trigger.  
扣壓扳機，開始射擊。

### CAUTION

Never put your finger on the trigger unless you are ready to shoot.  
除準備射擊目標外，請不要將手指放在扳機上。



## -SETTING AND FIRING-

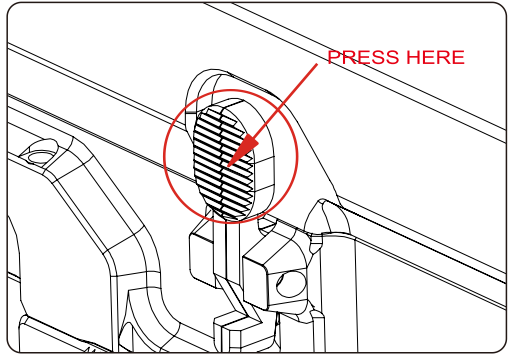
### ●Release Bolt

Press the Button release Bolt to Chamber.  
按壓槍機釋放鈕釋放槍機，使槍機復位。

#### Pinch Point Warning

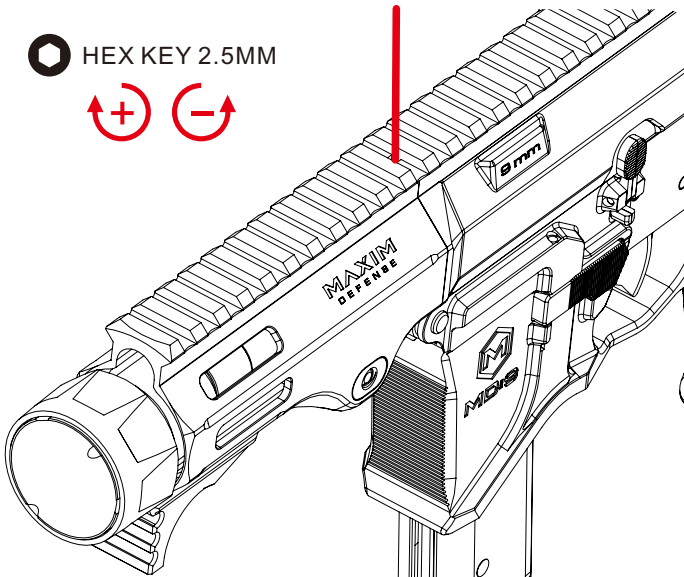
Keep fingers out of bolt area when releasing bolt catch.

釋放槍機時，  
請勿將手指放在槍機位置，  
以免夾到手指。



## -VARIABLE HOP-UP SYSTEM-

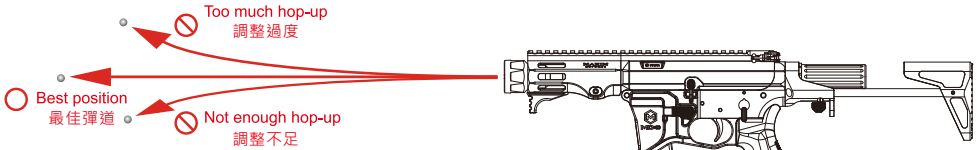
● HEX KEY 2.5MM



This HOP-UP system is adjusted by 2.5mm hex wrench.

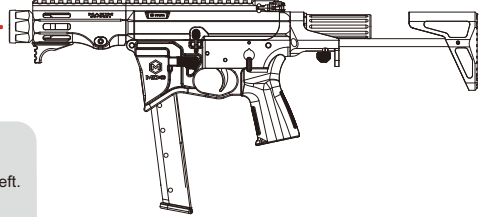
使用2.5mm六角扳手調整HOP-UP系統。

- The best position is where the bullets fly horizontally and the longest flying distance is obtained.  
最佳彈道為BB彈水平飛行並獲得最長飛行距離。

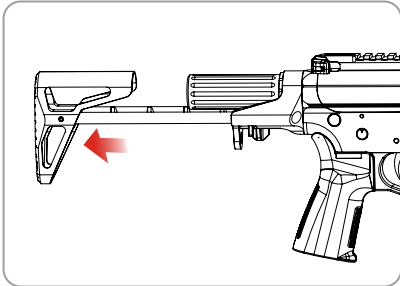


**WARNING · CAUTION**

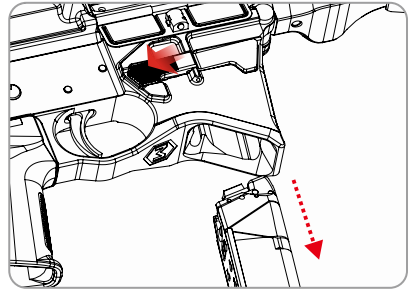
- Never hold the gun sideways as BB bullets will curve right or left. This is due to the HOP UP system. The Best setting is, where bullets fly horizontally. 請勿翻轉或傾斜射擊你的槍，這會造成射出的彈道偏左或偏右，對於 HOP UP 系統設計，水平持握射擊是最好的射擊方式。



**-FIELD STRIPING-**

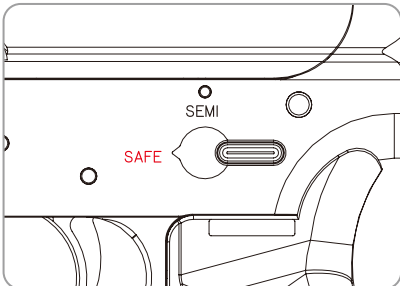


1. Pull out the stock / 抽開槍托拉到底



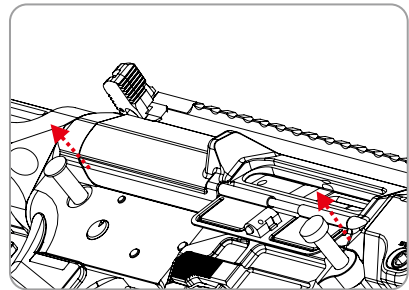
2. Remove the Magazine / 卸除彈匣

Press Magazine catch button and remove the Magazine. 按下彈匣釋放鈕將彈匣卸下。



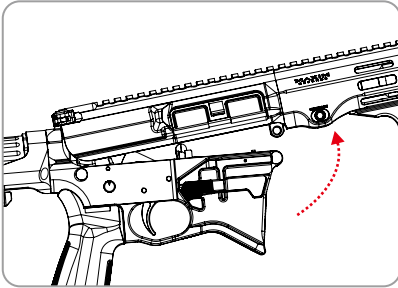
3. Safety setting / 保險設置

Place safety selector lever on safe. 將射擊選擇鈕轉至保險位置。



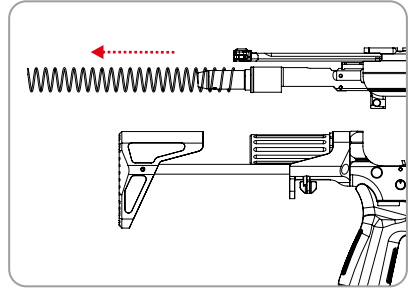
4. Pull up the pivot pin / 拉出上下槍身結合插梢

- Pull up the pivot pin and takedown pin. - 推拉出上下槍身結合插梢以分離上下槍身。



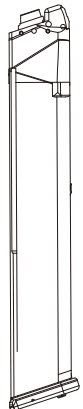
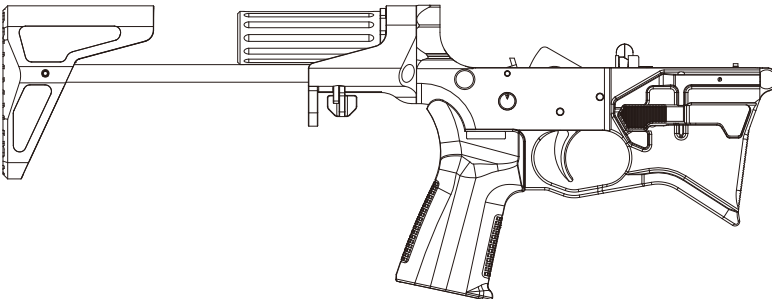
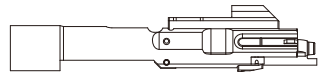
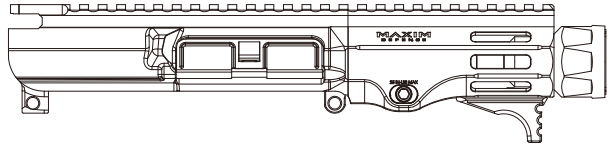
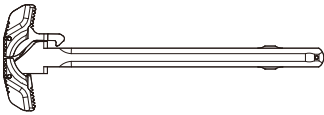
**5. Separate upper and lower receiver /  
分離上下槍身**

- Push the upper receiver forward and rotate it until it can be separated.
- 先將上槍身往前推並稍微扭轉至可分離。

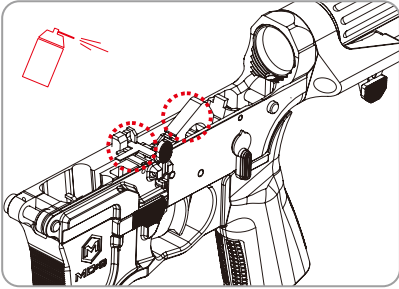


**6. Remove the bolt and buffer /  
移出槍機組件與緩衝機**

- Pull back the charging handle, remove the bolt carrier and buffer.
- 向後拉出槍機拉柄以將槍機組件與緩衝機自上槍身抽出。

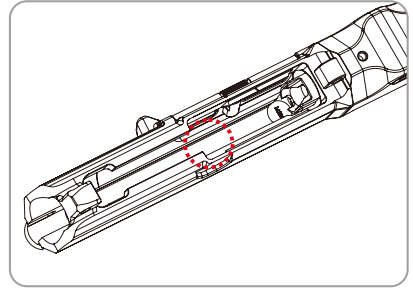


## -MAINTENANCE-



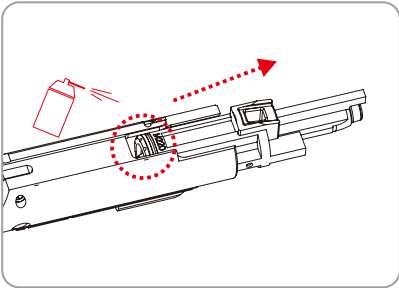
### a. Lower Receiver / 下槍身

Lightly lubricate all moving parts inside the lower receiver.  
些微潤滑下槍身內的可動部件。



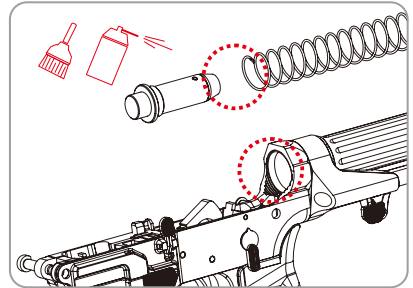
### b. Upper Receiver / 上槍身

Clean all areas and out of fouling, Metal debris and dirt.  
清潔所有區域並清除污垢與金屬碎屑。



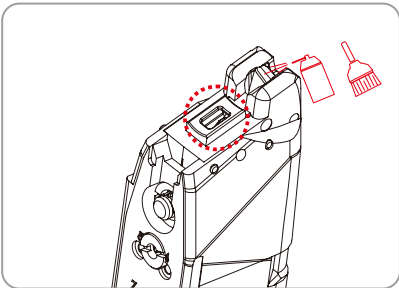
### c. Bolt Assembly / 槍機組件

Use silicone oil lightly lubricate all contact area.  
使用矽油將所有可接觸區域做些微潤滑。



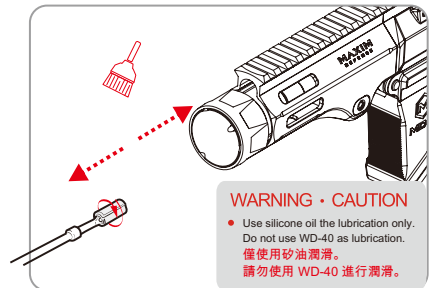
### d. Buffer Assembly / 緩衝機組件

Clean all areas and use silicone oil lightly lubricate all contact area.  
清潔並使用矽油將所有可接觸區域做些微潤滑。



### e. Magazine / 彈匣

Clean all areas and out of fouling, Metal debris and dirt.  
清潔所有區域並清除污垢與金屬碎屑。



#### WARNING • CAUTION

- Use silicone oil the lubrication only.  
Do not use WD-40 as lubrication.  
僅使用矽油潤滑。  
請勿使用 WD-40 進行潤滑。

### f. Inner Barrel / 槍支內管

Use patch holder to clean the inner barrel.  
使用通槍條清潔槍支內管。



## -TROUBLESHOOTING CLINIC-

Symptom / 徵狀	Cause / 原因	Action / 解決方式
No operation at all. 操作沒有反應	<ol style="list-style-type: none"> <li>1. No Gas in Magazine. 彈匣內沒有瓦斯。</li> <li>2. Selector lever on safe. 射擊選擇鈕在保險位置。</li> <li>3. Not loaded. 未上膛。</li> <li>4. The Magazine is in low temperature. 彈匣溫度過低。</li> <li>5. The pressure inside the Magazine is too high. 彈匣內壓力過高。</li> </ol>	<ol style="list-style-type: none"> <li>1. Unload the Magazine and filling the Gas. 卸下彈匣並填充瓦斯。</li> <li>2. Turn the selector lever on semi/full auto sites. 將射擊選擇鈕轉至半自動/全自動射擊模式。</li> <li>3. Pull the Charging handle, loading the rifle. 拉動槍機拉柄，使步槍上膛。</li> <li>4. After running fire, the Magazine will be in low temperature. Please, unload the Magazine until the Magazine temperature rise to normal. 射擊後，彈匣將處於低溫狀態，請卸下彈匣，靜待彈匣恢復常溫。</li> <li>5. Do not use Gas which pressure is surpassed 12 Kg/cm . 請勿使用壓力高於12 Kg/cm 的瓦斯。</li> </ol>
Magazine leak. 彈匣漏氣	<ol style="list-style-type: none"> <li>1. O ring aged. O環老化。</li> <li>2. O ring broken. O環斷裂。</li> <li>3. Charging valve broken. 彈匣灌氣口損壞。</li> </ol>	<ol style="list-style-type: none"> <li>1.2.3. Purchase the replacement part at your dealer or from VFC. 向經銷商或VFC購買替換零件。</li> </ol>
The recoil force decreases. 後座力變小	<ol style="list-style-type: none"> <li>1. The Magazine is in low temperature. 彈匣溫度過低。</li> <li>2. The gas pressure is insufficient. 瓦斯氣體壓力不足。</li> <li>3. Lubrication insufficiency. 潤滑不足。</li> <li>4. Bolt O ring broken. 槍機O環破損。</li> </ol>	<ol style="list-style-type: none"> <li>1. After continuous firing, the Magazine will be in low temperature. Please, unload the Magazine until the Magazine temperature rise to normal. 射擊後，彈匣將處於低溫狀態，請卸下彈匣，靜待彈匣恢復常溫。</li> <li>2. Unload the Magazine and refill the gas. 卸下彈匣並重新填充瓦斯。</li> <li>3. The moving part needs lubrication. 可動部件需要潤滑保養。</li> <li>4. Purchase the replacement part at your dealer or from VFC. 向經銷商或VFC購買替換零件。</li> </ol>
The trajectory is not steady. 彈道不穩定	<ol style="list-style-type: none"> <li>1. Too much hop setting. hop旋鈕調整過度。</li> <li>2. Inner Barrel or Hop parking contaminated by oil or dirt. 槍支內管或HOP橡皮內有灰塵或油污。</li> <li>3. Worn or damaged hop parking. HOP橡皮磨損或毀壞。</li> <li>4. Improper or too large size BB bullets. 使用不合適或太大的BB彈。</li> </ol>	<ol style="list-style-type: none"> <li>1. Gradually return adjustment lever towards normal. 漸趨調節使彈道平穩正常。</li> <li>2. Clean the oil or dirt. 清潔灰塵或油污。</li> <li>3. Purchase the replacement part at your dealer or from VFC. 向經銷商或VFC購買替換零件。</li> <li>4. Use the quality BBs. 使用優質BB彈。</li> </ol>

If you have any other questions, please contact your dealer or email us at [service@vegaforce.com.tw](mailto:service@vegaforce.com.tw)

如果您有其它問題，請向您購買的經銷商聯繫或寄電子郵件至我們公司信箱[service@vegaforce.com.tw](mailto:service@vegaforce.com.tw)

# V GAS

CORE POWER

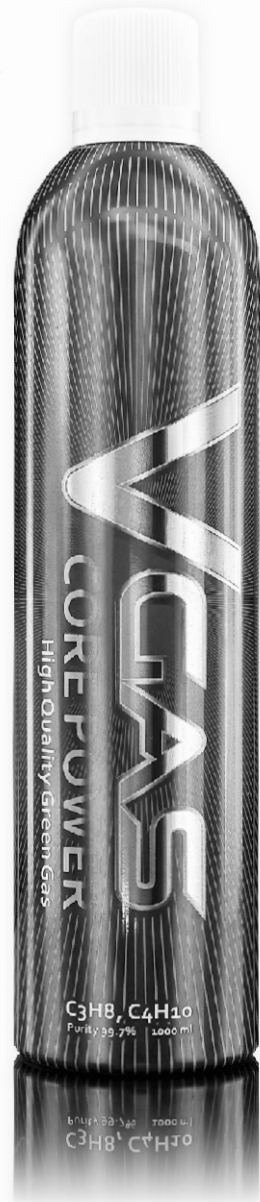
# PURITY

# QUALITY

# POWERFUL



**High Quality Green Gas**  
For Your Gas Rifle And Pistol  
100% Made in Taiwan





**MAXIM**

DEFENSE™

A I R S O F T P R O D U C T S



**VegaForce®Company**

**POWERED BY VEGA FORCE COMPANY**

Vega Force Company holds the exclusive worldwide license directly from Maxim Defense for the reproduction of its internationally professional grade products.