



### MC-74

雷射組 (含夾具)  
Laser set  
(included adapter)

### MC-74B

雷射  
Laser unit

### MA-29

AN/PEQ-2電池盒+雷射  
AN/PEQ-2 Battery box with laser



### MC-74

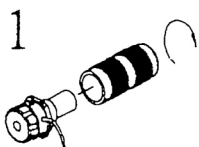
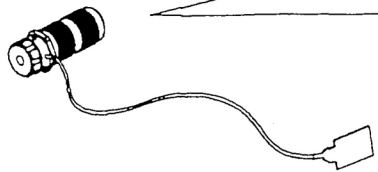
雷射組 (含夾具)  
Laser set  
(included adapter)

### MC-74B

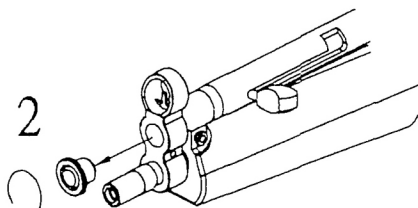
雷射  
Laser unit

### MA-29

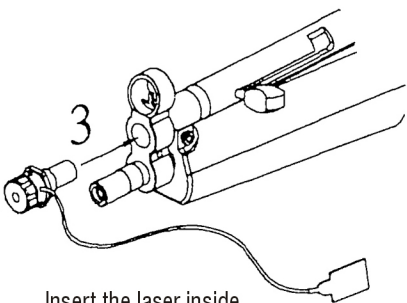
AN/PEQ-2電池盒+雷射  
AN/PEQ-2 Battery box with laser



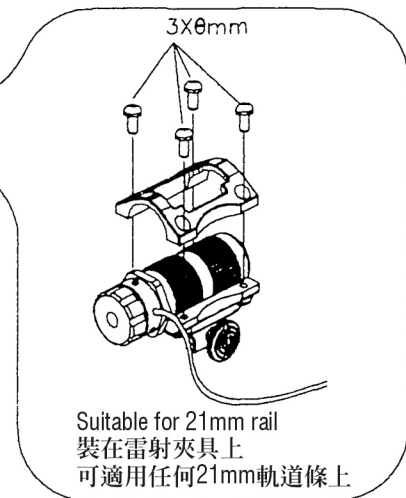
1  
Turn and take out the cylinder  
旋轉下雷射護套



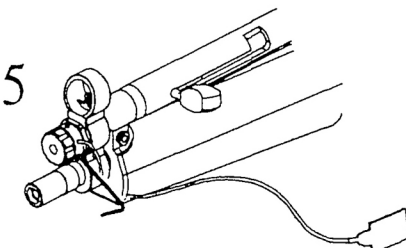
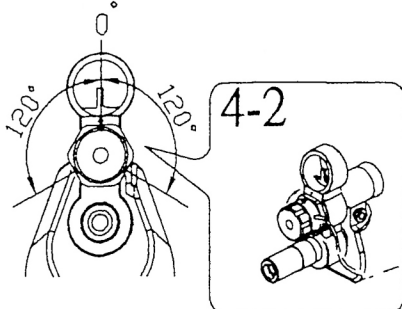
2  
Turn and take out the gas tube cap  
旋轉下視孔前的前蓋



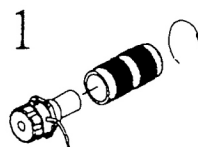
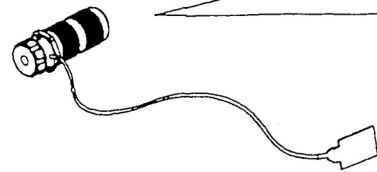
3  
Insert the laser inside  
將雷射裝入視孔組內



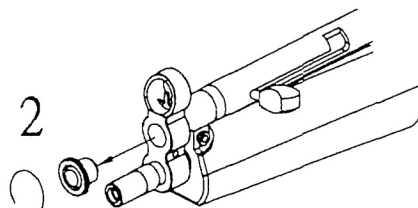
4-1  
Ensure the laser tuning screw is position at 12 o'clock 4 o'clock 8 o'clock  
將雷射調整至0°位置  
用六角定位螺帽將雷射鎖緊固定



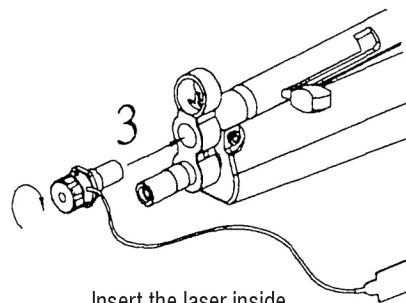
5  
To fine tune the laser use the hex key to adjust the three screw located on the laser  
利用六角板手將雷射焦距定位以三支螺絲的互動位置做微調



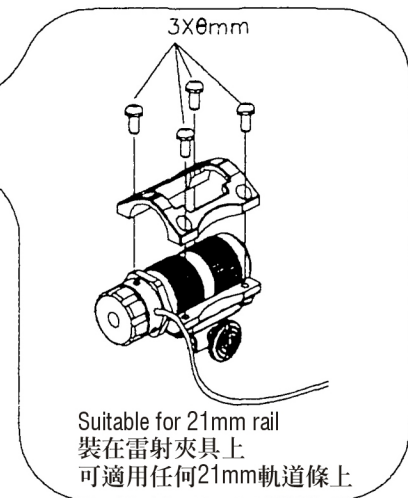
1  
Turn and take out the cylinder  
旋轉下雷射護套



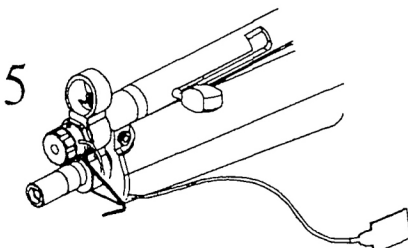
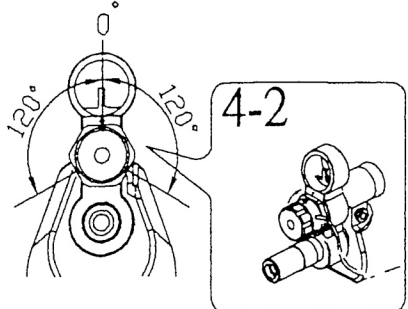
2  
Turn and take out the gas tube cap  
旋轉下視孔前的前蓋



3  
Insert the laser inside  
將雷射裝入視孔組內



4-1  
Ensure the laser tuning screw is position at 12 o'clock 4 o'clock 8 o'clock  
將雷射調整至0°位置  
用六角定位螺帽將雷射鎖緊固定



5  
To fine tune the laser use the hex key to adjust the three screw located on the laser  
利用六角板手將雷射焦距定位以三支螺絲的互動位置做微調