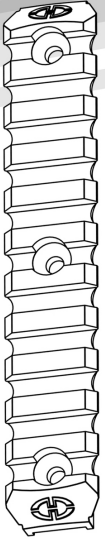
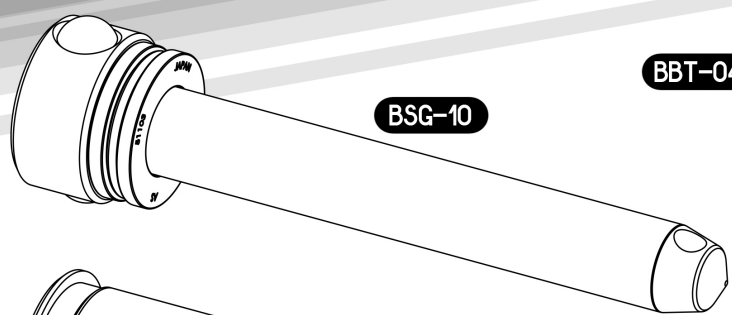


RAL-05

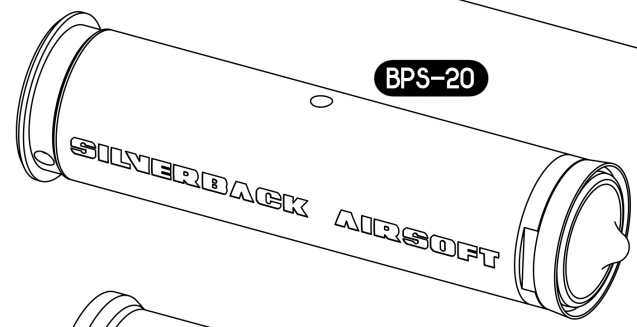
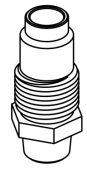


RAL-04



BSG-10

BBT-04



BPS-20

SPR-20

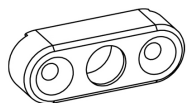
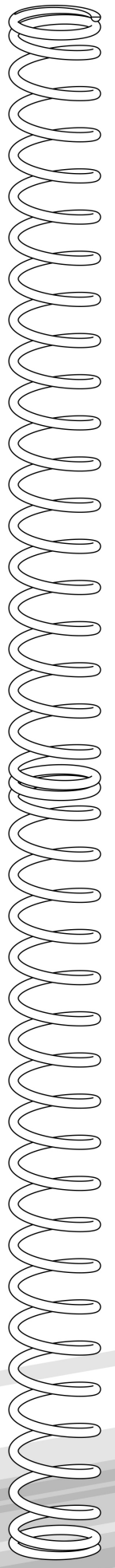
SPR-21

SPR-22

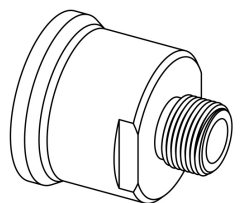
SPR-23

SPR-24

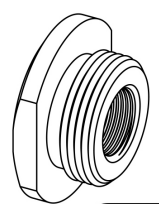
SPR-25



RAL-03

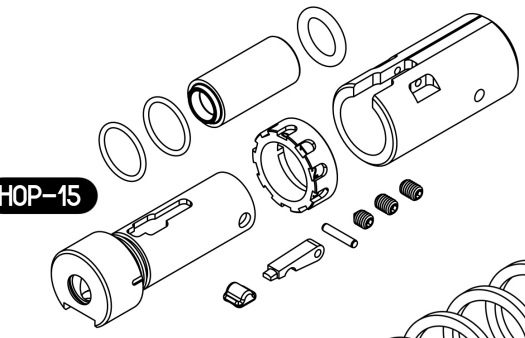


SIL-12



SIL-13

PTS-02



HOP-15



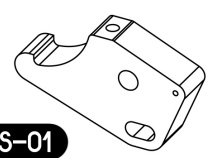
HOP-20

HOP-21

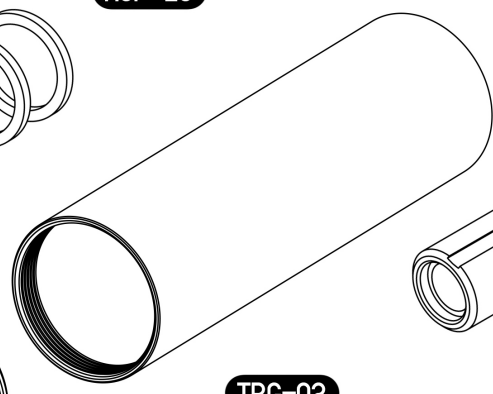
HOP-22

HOP-23

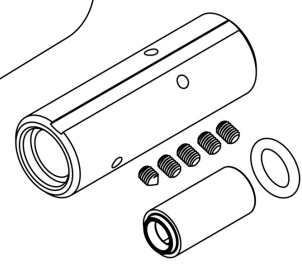
TGS-01



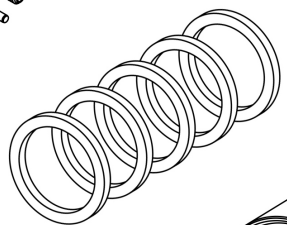
CYL-10



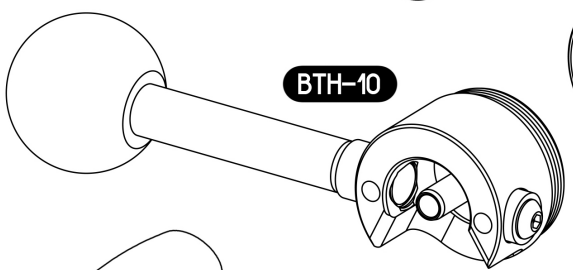
HOP-14



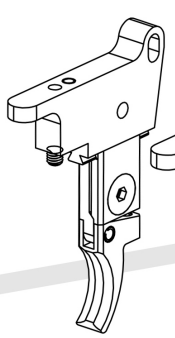
SGW-02



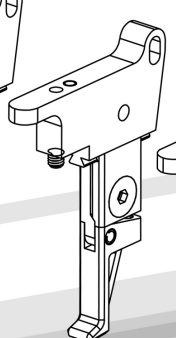
BTH-10



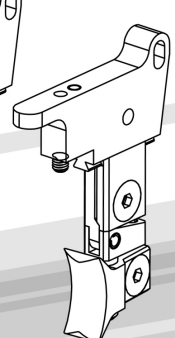
TRG-02



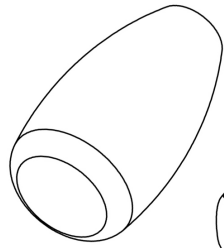
TRG-03



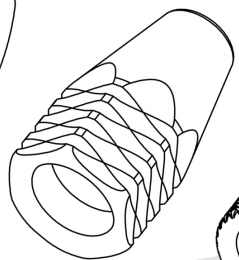
TRG-04



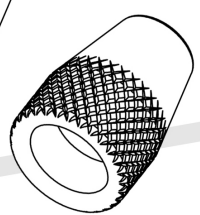
BKB-02



BKB-03

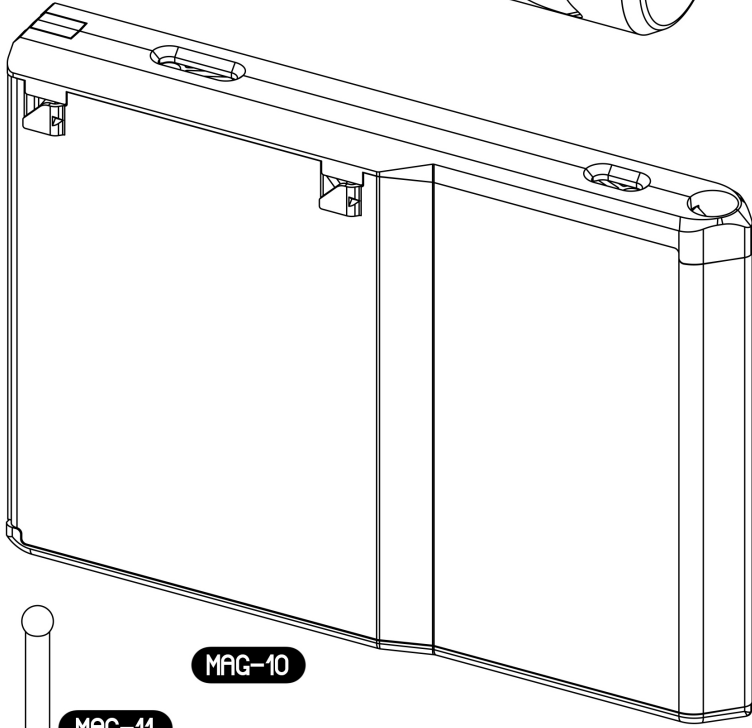
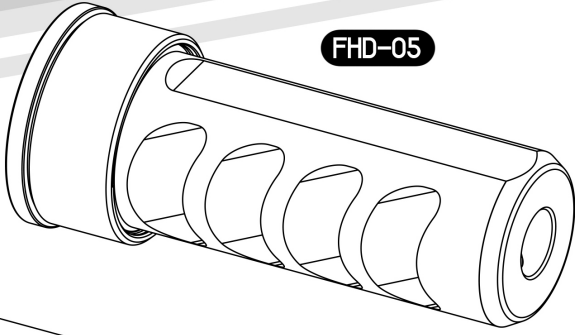


BKB-01



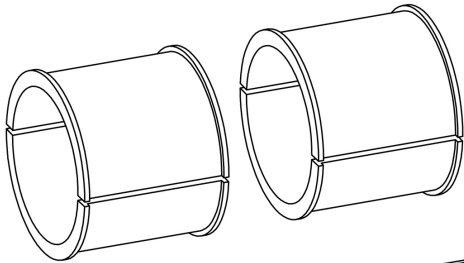
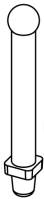
SL-10

FHD-05

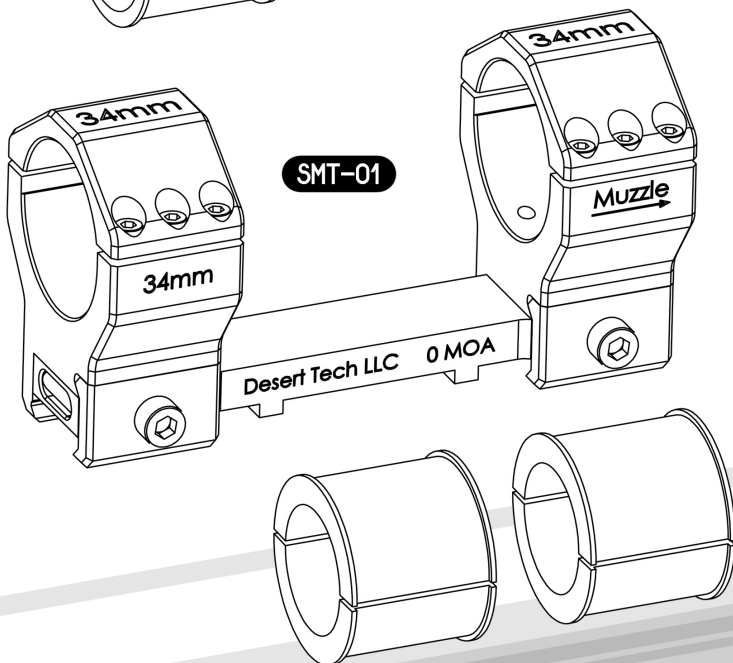


MAG-10

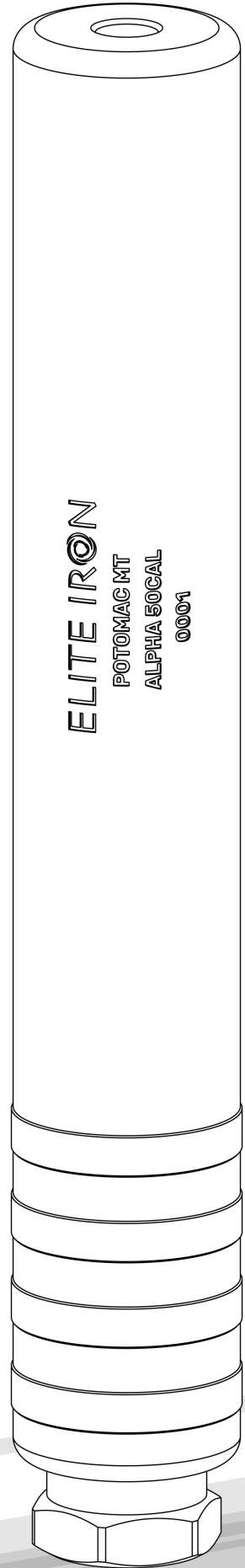
MAG-11

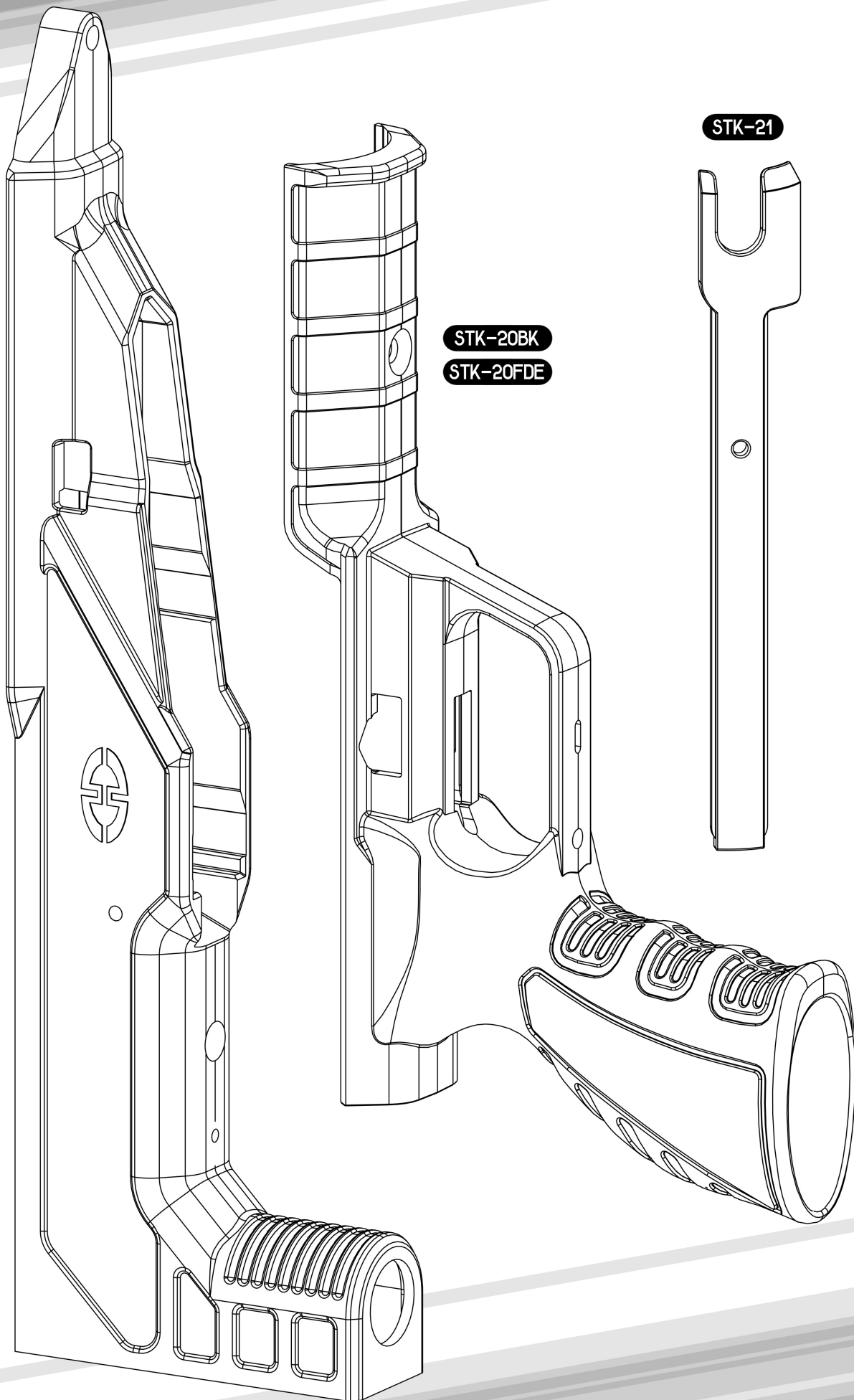


SMT-01



ELITE IRON  
POTOMAC MT  
ALPHA 50CAL  
0001





# EXPLODED VIEWS

## PARTS LIST

### HTI-0100 / Chassis

HTI-0101	<i>receiver</i>
HTI-0102	<i>handguard</i>
HTI-0103	<i>barrel lock</i>
HTI-0104	<i>buttplate lock</i>
HTI-0105	<i>cheekpad</i>
HTI-0106	<i>cheekpad nut</i>
HTI-0107	<i>trigger base</i>
HTI-0108	<i>dust cover</i>
HTI-0109	<i>feeding tube - 6 mm</i>
HTI-0113	<i>buttplate spring</i>
HTI-0114	<i>QD attachment</i>
SRS-104	<i>handguard lock</i>
DTR-0101	<i>long additional rail</i>
DTR-0102	<i>short additional rail</i>

### HTI-0200 / Barrel

HTI-0201	<i>outer barrel 29"</i>
HTI-0202	<i>muzzle brake .50 BMG</i>
HTI-0203	<i>muzzle brake ring</i>
HTI-0210	<i>inner barrel 6.05 x 730 mm</i>
SRS-407	<i>hopup</i>
SRS-419	<i>hopup ruber - flat - 60°</i>

### HTI-0300 / Stock

HTI-0301	<i>grip</i>
HTI-0302	<i>stock</i>

### HTI-0400 / buttplate

HTI-0401	<i>buttplate frame</i>
HTI-0402	<i>buttplate damper</i>
HTI-0403	<i>buttplate mushroom</i>
HTI-0404	<i>buttplate bow</i>

### HTI-0500 / Bolt

HTI-0501	<i>cylinder</i>
HTI-0502	<i>cylinder head - 6 mm</i>
HTI-0503	<i>bolt handle</i>
HTI-0506	<i>bolt lug</i>
SRS-306	<i>bolt knob</i>

### HTI-0600 / magazine

HTI-0601	<i>magazine shell</i>
HTI-0602	<i>magazine internal right</i>
HTI-0603	<i>magazine internal left</i>
HTI-0605	<i>magazine bbs stopper</i>
HTI-0606	<i>magazine spring guide</i>
HTI-0607	<i>magazine follower</i>

HTI-0608	<i>magazine flexible follower</i>
HTI-0609	<i>magazine bbs stopper spring</i>
HTI-0610	<i>magazine follower spring</i>
HTI-0611	<i>magazine plate</i>
HTI-0612	<i>magazine spring guide stopper</i>

### HTI-0700 / Piston

HTI-0701	<i>piston body</i>
HTI-0702	<i>piston end</i>
HTI-0703	<i>piston head</i>
HTI-0704	<i>piston cup</i>

### HTI-0800 / Spring guide

HTI-0801	<i>spring guide base</i>
HTI-0802	<i>spring guide rod</i>
HTI-0806	<i>spring guide lug</i>
HTI-0808	<i>spring guide nut</i>

### HTI-0900 / trigger group

HTI-0901	<i>sear cage</i>
HTI-0902	<i>trigger sear</i>
HTI-0903	<i>piston sear</i>
HTI-0904	<i>transfer bar</i>
HTI-0905	<i>piston sear spring left</i>
HTI-0906	<i>piston sear spring right</i>
SRS-110	<i>trigger base</i>
SRS-111	<i>trigger blade</i>
SRS-122	<i>trigger block</i>
SRS-123	<i>safety</i>
SRS-124	<i>safety button</i>
SRS-125	<i>dust cover</i>

### HTI-1000 / magcatch system

HTI-1001	<i>magcatch button</i>
HTI-1002	<i>magcatch plate</i>
HTI-1003	<i>magcatch spring</i>

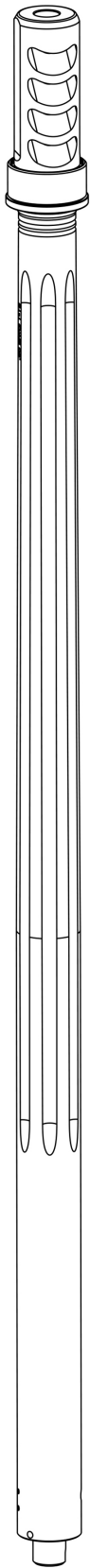
### DTMP-0100 / Monopod

DTMP-0101	<i>monopod first housing member</i>
DTMP-0102	<i>monopod second housing member</i>
DTMP-0103	<i>monopod third housing member</i>
DTMP-0104	<i>monopod extension shaft</i>
DTMP-0105	<i>monopod footpad</i>
DTMP-0106	<i>monopod spring guide</i>
DTMP-0107	<i>monopod knob</i>
DTMP-0108	<i>monopod hat</i>
DTMP-0109	<i>monopod lock spring</i>
DTMP-0110	<i>monopod extension spring</i>

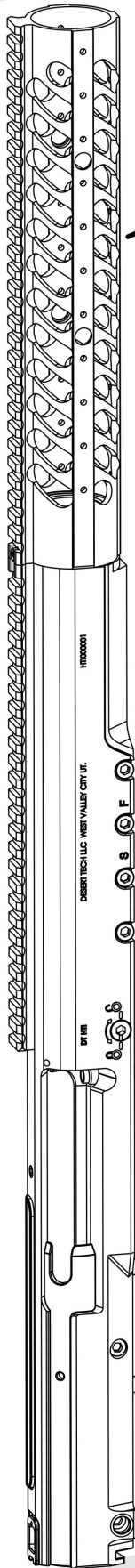


# NOMENCLATURE

HTI-0200



HTI-0100

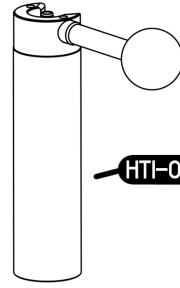


HTI-1108  
(Japan ver.)

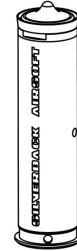
HTI-1112  
(HK ver.)



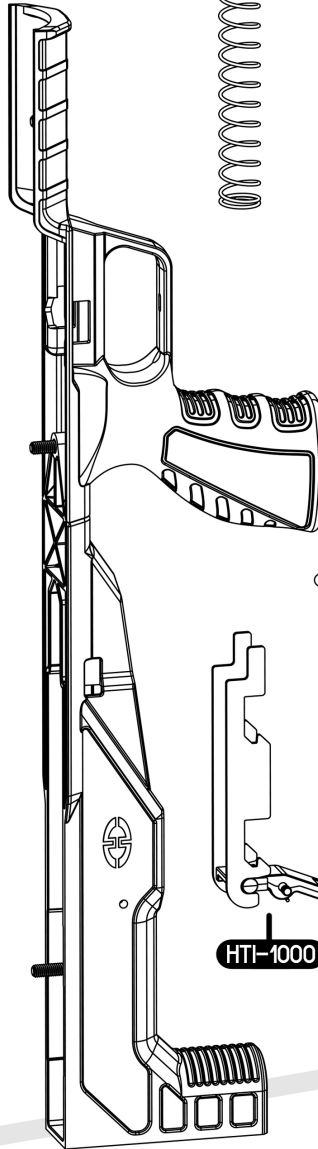
HTI-0500



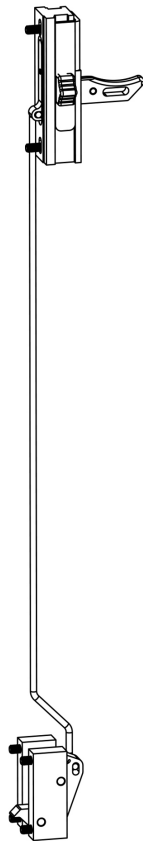
HTI-0700



HTI-0300



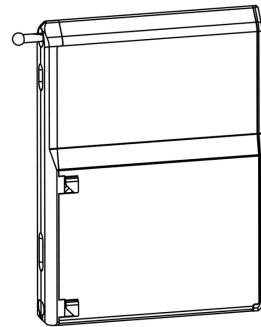
HTI-0900



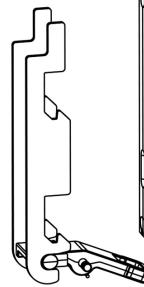
HTI-0800



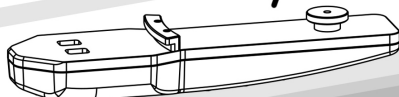
HTI-0600



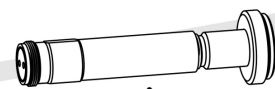
HTI-1000



HTI-0400

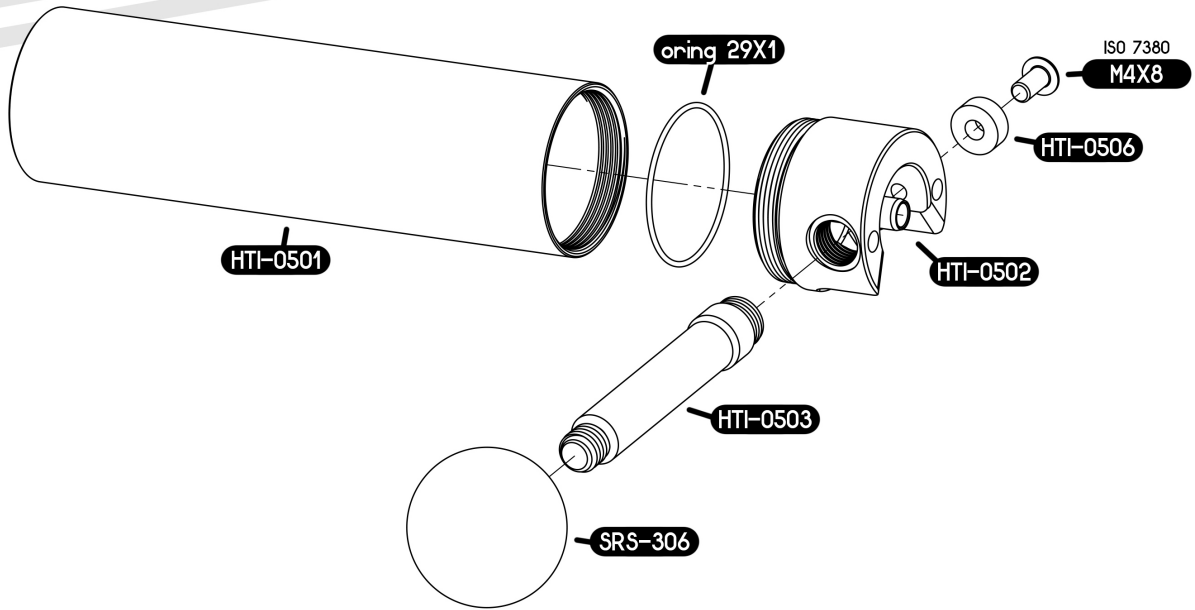


DTMP-0100

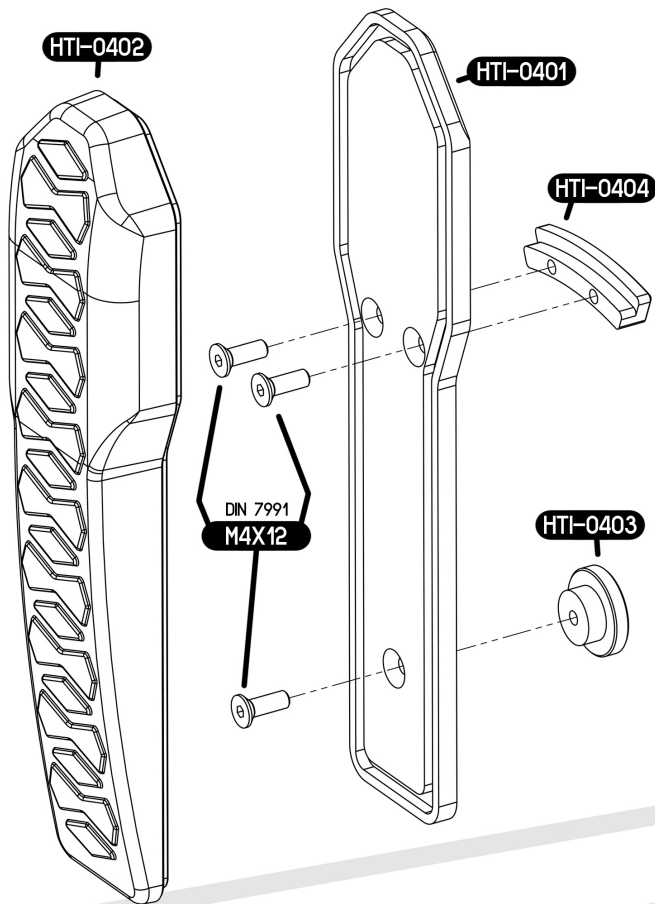




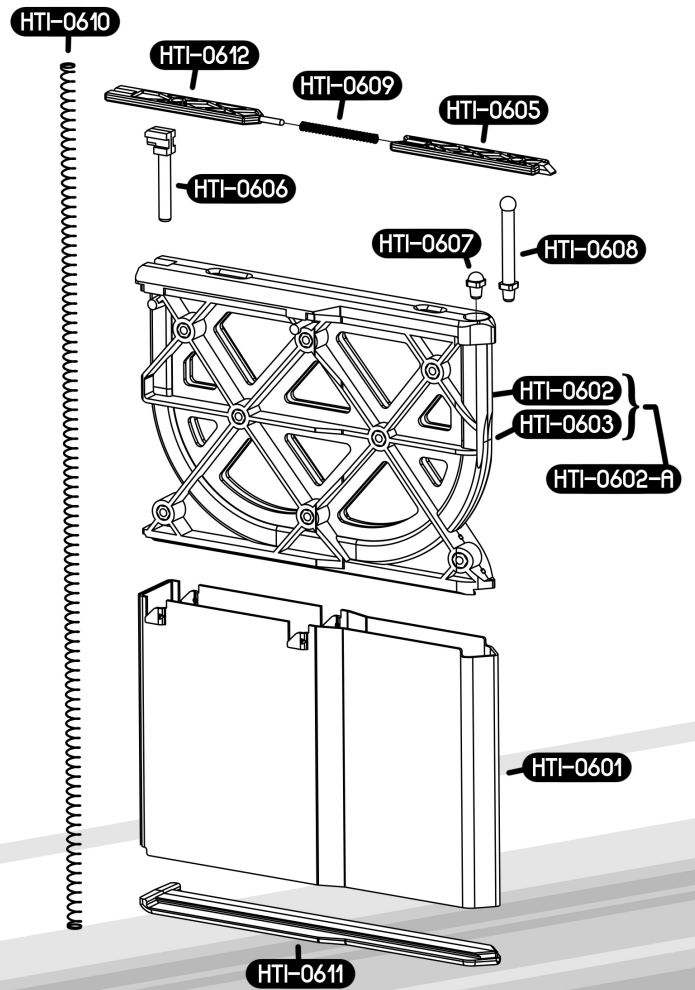
# HTI-0500 / BOLT



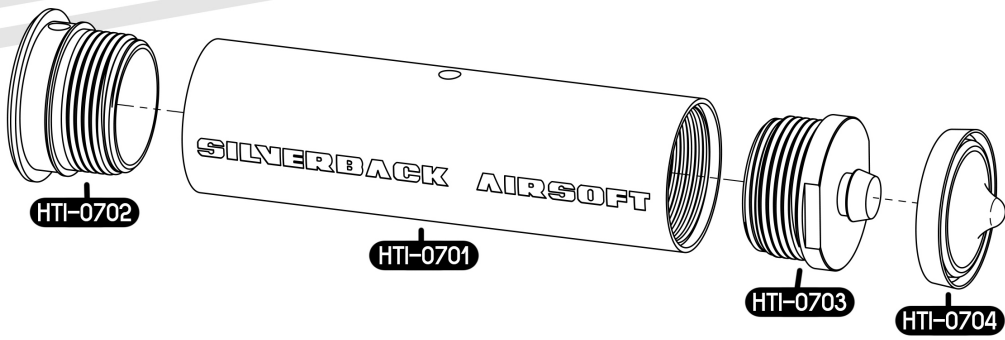
# HTI-0400 / BUTTPLATE



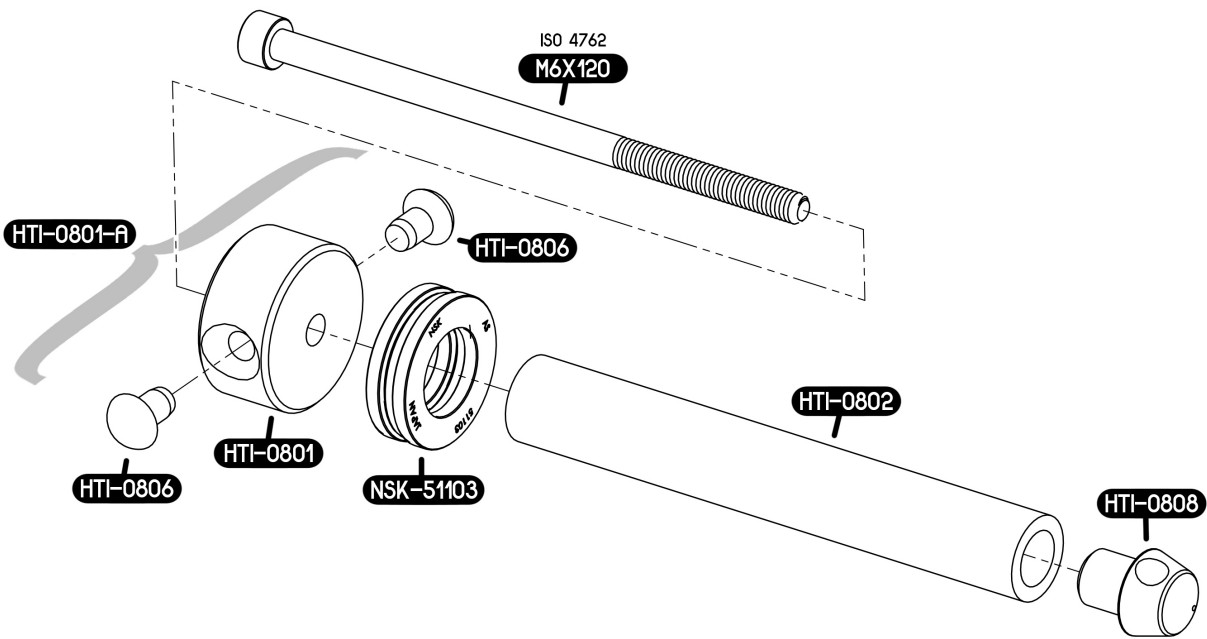
# HTI-0600 MAGAZINE 6 mm



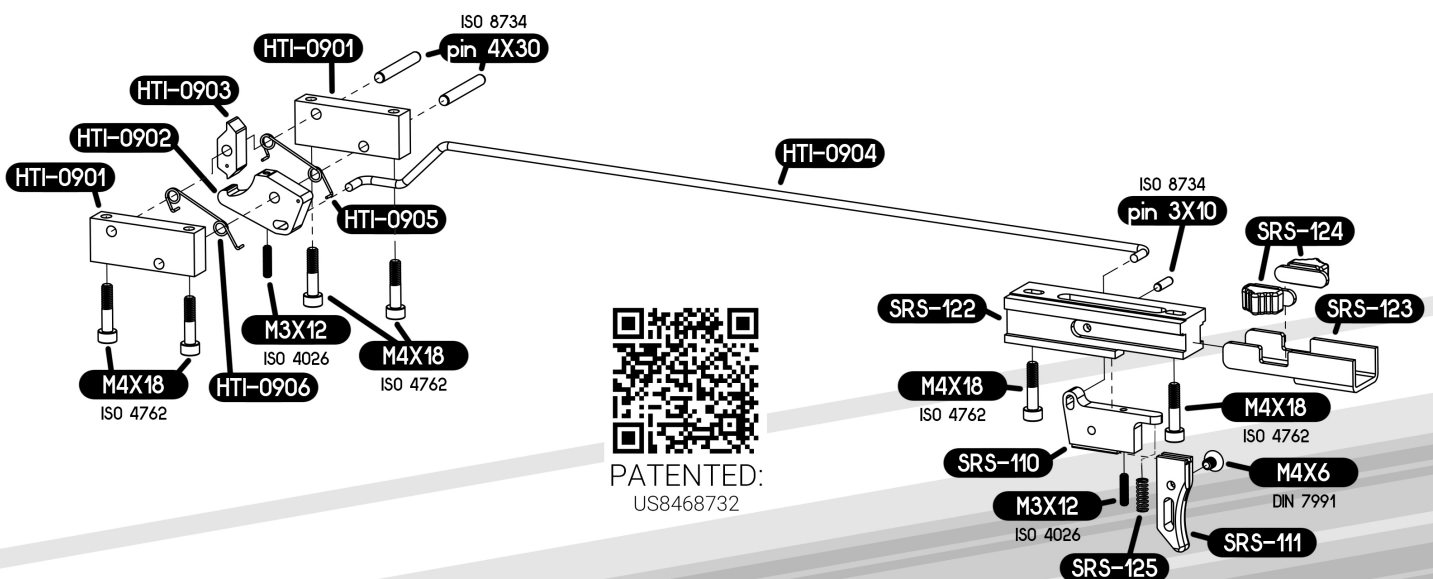
# HTI-0700 / PISTON



# HTI-0800 / SPRING GUIDE



# HTI-0900 / TRIGGER GROUP



PATENTED:  
US8468732





# SPECIFICATIONS

## MATERIALS

	AL 6XXX	CR1018	SS304	10.9 steel	A228	brass	PA6-GF15	polycarbonate	Acetal / POM	Bakelite	NBR	silicon
HTI-0100 / chassis	■	■	■				■				■	
HTI-0200 / barrel	■					■						■
HTI-0300 / stock							■					
HTI-0400 / buttplate	■										■	
HTI-0500 / bolt		■	■			■				■		
HTI-0600 / magazine		■					■					
HTI-0800 / spring guide			■					■				
HTI-0900 / trigger group	■		■				■					
HTI-1000 / magcatch system		■					■					
DTMP-0100 / monopod	■											
screws / pins			■	■								
orings											■	
springs					■							

## SIZE / MASS

	Mass [grams]
HTI-0100 / chassis	2518
HTI-0200 / barrel	1610
HTI-0300 / stock	401
HTI-0400 / buttplate	181
HTI-0500 / bolt	277
HTI-0600 / magazine	472
HTI-0800 / spring guide	172
HTI-0900 / trigger group	114
HTI-1000 / magcatch system	72
DTMP-0100 / monopod	99
<b>TOTAL</b>	<b>6060</b>

Size [mm]	1125
-----------	------



# SERIAL NUMBERS

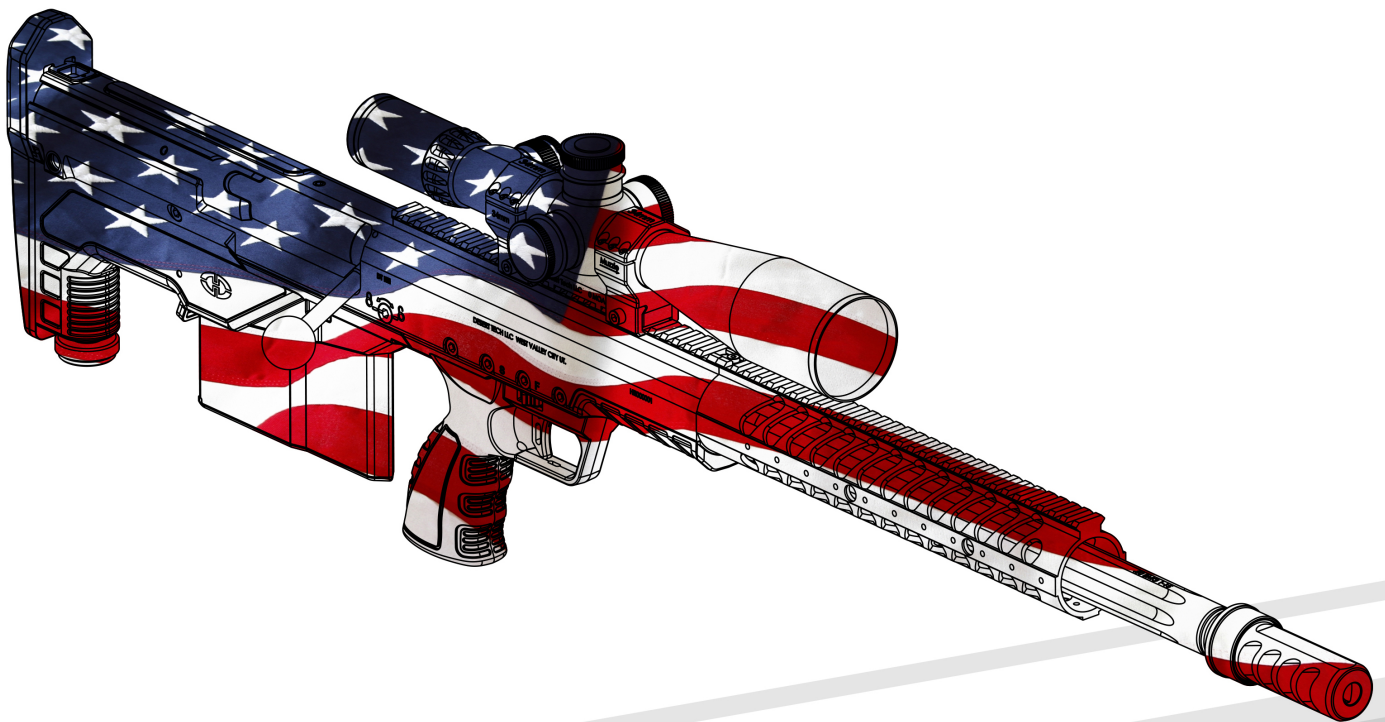
Serial number: .....

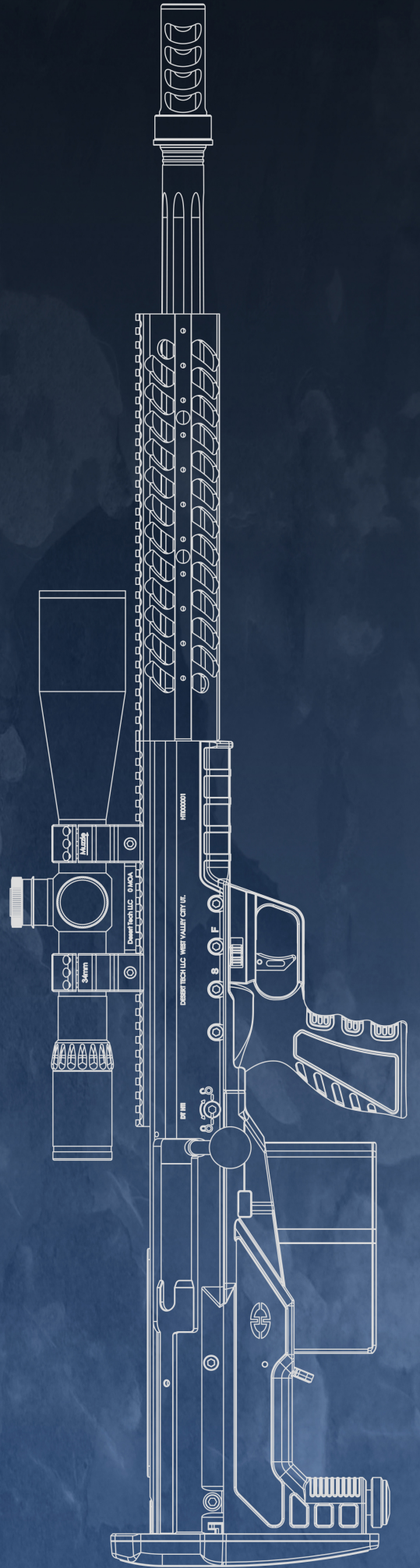
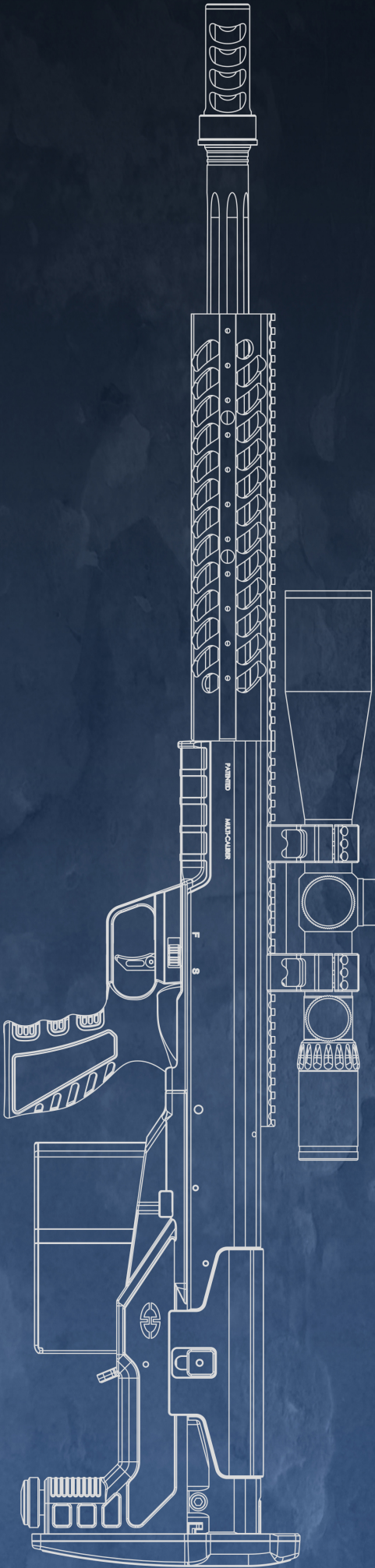
Color: black.....

flat dark earth.....



Scan this QR code and download the digital version of this user manual. In case of user manual update, this link will provide you the latest version. If you wish to contact us regarding your HTI or receive news about this product line, please contact us at [info@silverback-airsoft.com](mailto:info@silverback-airsoft.com) with your serial number as reference.







May 2019 - Made in Hong Kong

**SILVERBACK AIRSOFT**