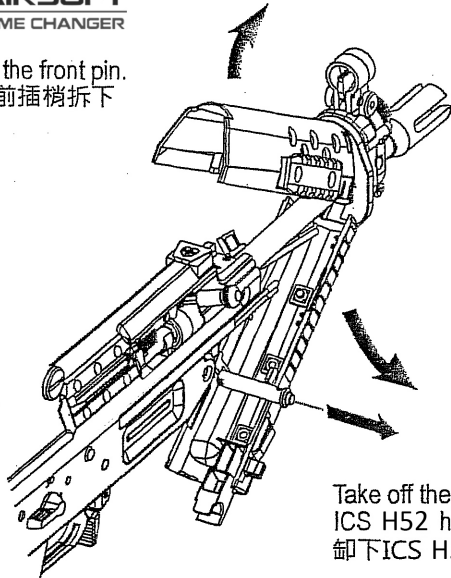




# ICS H51/H52 M.R.S. Quad Rail Tactical Handguard

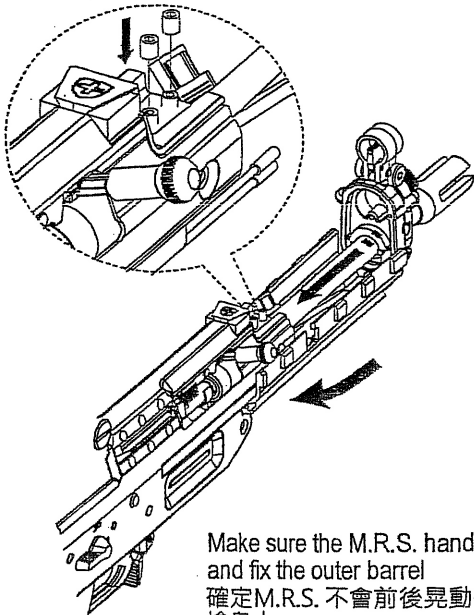
MI-37 / MI-43 / MI-48 / MI-49 M.R.S. 模組化四軌戰術護木 - 安裝說明

- 1 Pull out the front pin.  
將快拆前插梢拆下



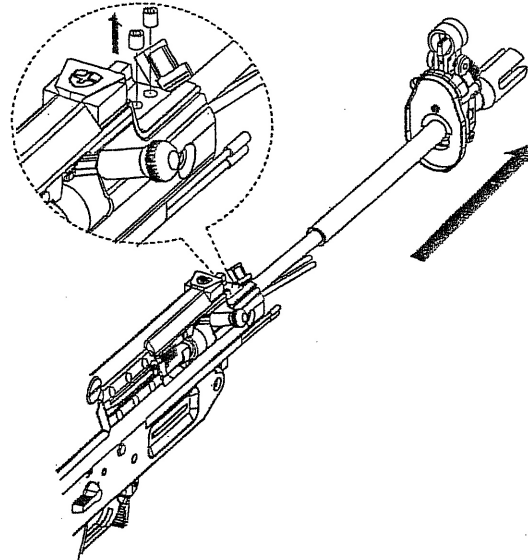
Take off the upper and lower ICS H52 hand guard  
卸下ICS H52 上下護木

- 4 Install H52 M.R.S. lower handguard, Adjust outer barrel forward or backward to fit the length of M.R.S. handguard.  
將 H52 M.R.S. 下護木裝上，並調整槍管前後長度來符合 M.R.S. 長度

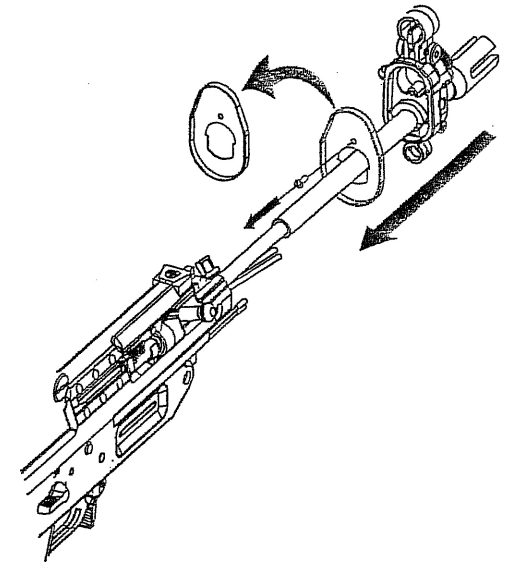


Make sure the M.R.S. handguard is tightly installed and fix the outer barrel  
確定M.R.S. 不會前後晃動後，將槍管鎖緊於槍身上

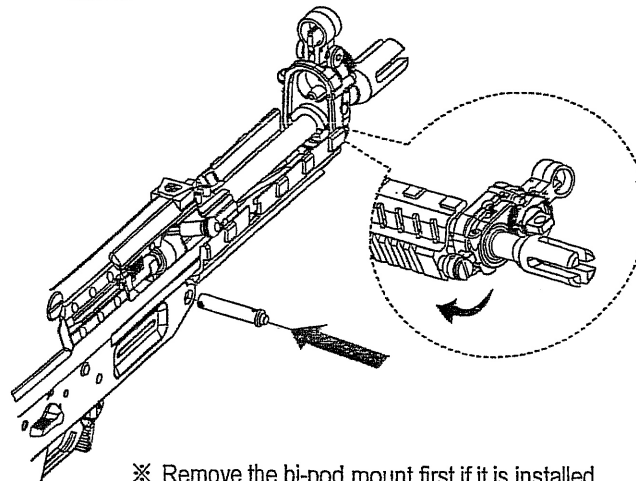
- 2 Loose the outer barrel fix screws to take off the outer barrel  
將槍管固定螺絲鬆開並取出槍管



- 3 Use the crosshead screwdriver to take off the handgrad ring, put the outer barrel Back into the body  
以十字起子將護木固定環取下，再將槍管裝回槍身

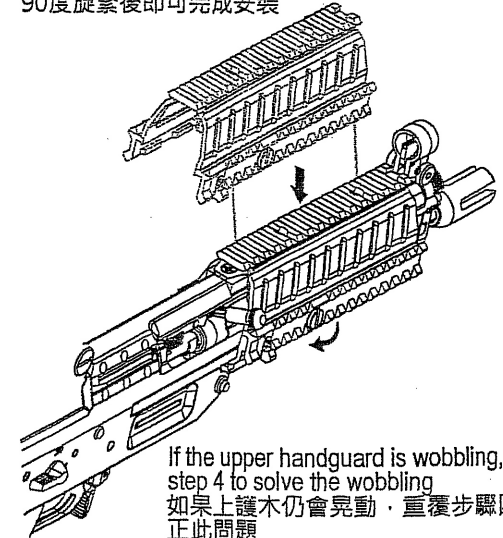


- 5 Insert the front pin and screw the H52 M.R.S. lower handguard on front sight mount  
裝上前插梢，再將 H52 M.R.S. 下護木鎖緊於前準星座上



※ Remove the bi-pod mount first if it is installed  
如果已經裝有腳架座，需將腳架座先拆除

- 6 Install H52 M.R.S. upper handguard and turn the fix button on both side 90 degree to finish  
將 H52 M.R.S. 上護木裝上後將護木兩側固定鈕 90 度旋緊後即可完成安裝



If the upper handguard is wobbling, repeat step 4 to solve the wobbling  
如果上護木仍會晃動，重覆步驟四來修正此問題