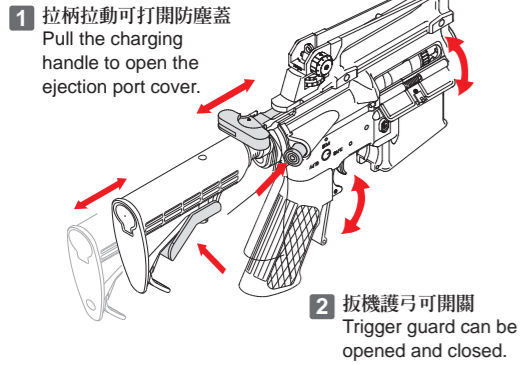


3 可動部的說明 Movable Parts

3-1 可作動作 Movable Parts

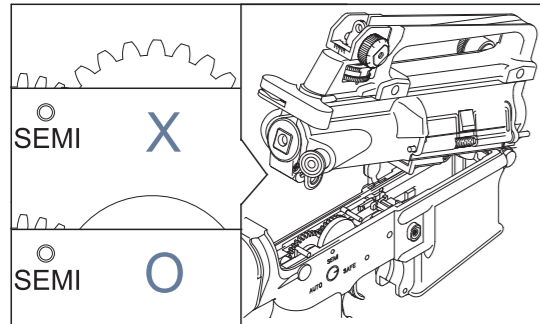


- ※此系列產品具備「彈簧釋放功能」。
- 槍枝上彈的情況下，按壓槍機助進器可釋放彈簧，再次擊發時有機率造成第一發雙彈射出或者小便彈，屬正常情況。
 - 槍支使用完畢後：
 - 請轉至單發模式下，擊發2-3下後做清槍動作
 - 關保險並確保槍管內已無殘彈
 - 按壓槍機助進器釋放彈簧
 - 上下槍身分解前，務必先關保險並釋放彈簧，避免造成齒輪倒轉損壞活塞。
- ※釋放彈簧可延長彈簧壽命，避免長期擠壓造成疲乏。
- ※This series has "spring release" function.
- If the AEG is loaded with magazine, the spring can be released by pressing the forward assist knob, but also has chance to fire 2 BBs on your first shot or fire with low muzzle velocity, which are normal conditions.
 - Once you finished using your AEG:
 - Please select your fire selector to semi-auto, clear your gun by firing 2 to 3 times.
 - Engage the safety and make sure no BB pellets are remained in the barrel.
 - Press the forward assist knob to release the spring.
 - Before you disassemble the upper and lower receiver, make sure you have engaged the safety and released the spring, to avoid gear reversal and cause damage to the piston.
- ※Releasing the spring can extend its service life time, and avoid elastic fatigue caused by long-term extrusion.

3-2 槍身結合3號齒輪箱正確位置圖 The correct position of sector gear before reassembling

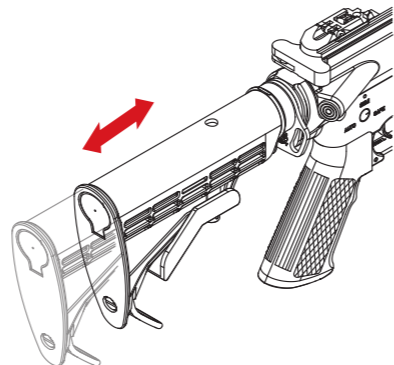
注意 CAUTION 未進行歸位校正，會損壞活塞及齒輪

※The piston and gear may be damaged without correcting the position in advance.



3號齒在槍身結合時，必須轉到正確位置，才可將上槍身蓋下。
Make sure the sector gear is turned to the correct position before reassembling the receiver / gearbox.

3-3 調整伸縮托長度 Adjust Retractable Stock Length

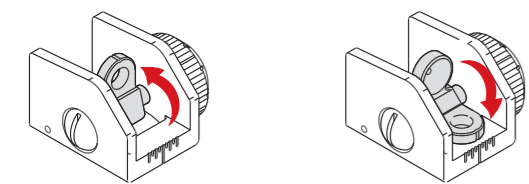


按壓槍托調整桿，即可將伸縮托向後拉或向前推，共有6段可供調整長度。
Press and hold the stock adjustment lever to adjust stock length forward and backward. A total of 6 lengths are available for adjustment.

4 精確射擊調整動作 Precision Targeting Adjustment

4-1 視孔調整 Rear Sight Adjustment

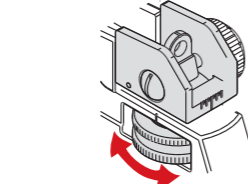
A: 瞄準距離遠近調整 Aiming distance adjustment



近距：將視孔往前推。
For close range, Flip sight forward.

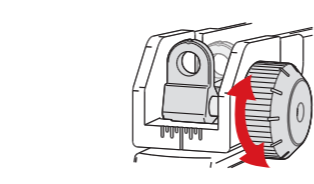
遠距：將視孔往後推。
For far range, Flip sight backward.

B: 視孔高度調整 Height adjustment



將調整鈕左右轉動即可調整視孔組高低。
Push the dial forward to raise the sight.
Push the dial backward to lower the sight.

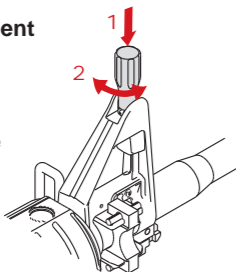
C: 視孔左右調整 Windage adjustment



依旋鈕方向旋轉即可將視孔組左右調整。
Rotate clockwise to aim right.
Rotate counter clockwise to aim left.

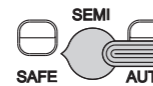
4-2 準星調整 Front Sight Adjustment

- 將準星調整桿壓入
 - 將調整扭轉左即可升高準星；將調整扭轉右即可降低準星
- Press the adjustment tool into the front sight.
 - Rotate counterclockwise to raise, and clockwise to lower the sight.

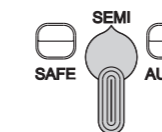


4-3 選擇射擊模式 Shooting Mode Setting

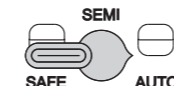
1 保險 Safe



2 單發 Semi

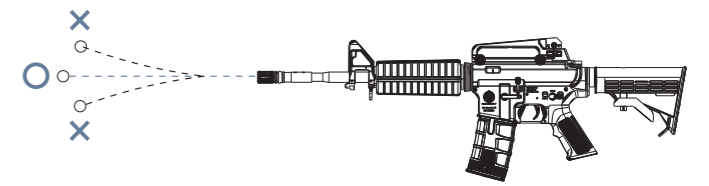
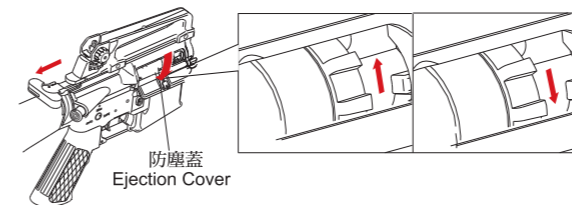


3 連發 Auto



5 H-UP 彈道調整 H-UP Adjustment

注意 CAUTION 非必要時，手指請勿放置於H-UP調整處，避免受傷
※To avoid injuries, only put your finger on the H-up adjustment when necessary.



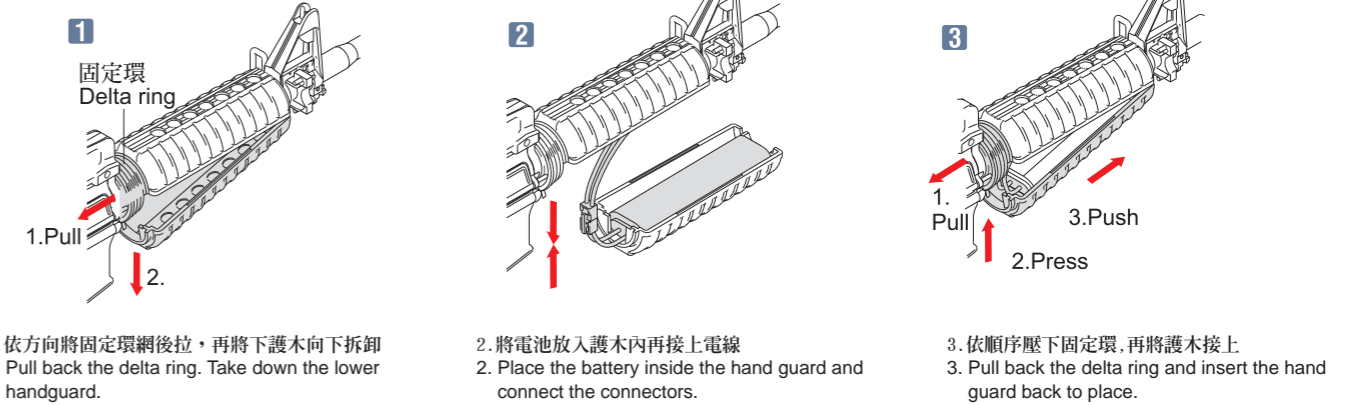
- 將槍機拉柄往後拉(不可放開)，防塵蓋下翻、槍機飾片向後打開，即可進行彈道調整。
 - 視彈道進行撥盤調整，調整完即可放開槍機拉柄。
- To adjust the trajectory, pull and hold the charging handle to the end (do not release) to open the ejection port cover downward, and open the decorated bolt plate backward.
 - Rotate the dial to adjust the trajectory. Release the charging handle once you finished the adjustment.

H-UP調整：BB彈呈現一直線的彈道才是正確射法。
過於上飄：將撥盤向上旋轉。
過於下墜：將撥盤向下旋轉。
H-up Adjustment: Make sure the trajectory of the BB pellets to be straight.
When the BB pellet flies up: Rotate the dial counter-clockwise to lower the trajectory.
When the BB pellet falls down: Rotate the dial clockwise to raise the trajectory.

6 電池的拆裝方法 Battery Installation and Disassembly

注意 CAUTION 重新組裝時，必須依反向動作做組合
※Reassembling is the reverse of disassembling procedures.

6-1 電池安裝方式 Battery fitting method



7 齒輪箱拆解 Disassemble Gearbox

注意 CAUTION 先卸彈匣跟電池，再進行拆解
※Unload the magazine and battery before you proceed to disassemble.

