

# 使用說明書

# VFC

HANDLING CAUTIONS AND INSTRUCTION MANUAL



4F-6, No.14, Xiwei St., Sanchoung City, Taipei County 241, Taiwan  
TEL:886-2-2287-9427 FAX:886-2-2287-9450  
E-mail: gb.tech@msa.hinet.net

## 5.45MM АВТОМАТУ КАЛАШНИКОВА УКОРОЧЕННОМУ



### AK-74 Series



## Automatic Electric Rifle

對象年齡18歲以上 User restricted to 18 years of age or older



使用前請務必詳讀此說明書

Always read through this manual before operation.

## 目 錄

警語	WARNING	2
AK-74系列簡介	PROFILE	3
各部名稱	COMPONENT NAME	7
選擇鈕、手動保險說明	SELECTOR LEVER & SAFETY SETTING	8
電池的安裝	SETTING BATTERY	9
彈匣的安裝	SETTING MAGAZINE	10
準星與照門的調整	SETTING THE FRONT SIGHTS AND REAR SIGHT	11
可動部的說明	MOVABLE PARTS	12
射擊	FIRING	15
可變Hop-Up系統的說明	VARIABLE HOP-UP SYSTEM	17
配件的裝著	THE EXAMPLE OF OPTION WEARING	20
故障內容自我診斷	TROUBLE CLINIC	21
分解圖、零件表	PARTS LIST	23
關於售後服務	AFTER SERVICE	25
相關周邊產品	ACCESSORIES	26



警告

在操作本產品之前，請務必詳讀此操作手冊

- 請務必帶上護目鏡等護眼用具。
- 請勿射擊人或動物。
- 隨意用BB槍開玩笑可能會觸及法律。
- 嚴禁望向槍口。
- 請將槍口朝向安全的地方。
- 射擊時無論遠近，隨時確認射擊區內是否有行人或車輛經過。
- 避免任意不經意地扣處扳機。
- 除非完成射擊準備，否則切勿將手指放入扳機。
- 不用或搬運時，請務必放置於槍盒等容器內。
- 請存放在兒童拿不到的地方。
- 禁止擅自改造或加強槍枝結構。
- 非射擊時請將選擇鈕切換到保險位置。



Warning!

Always read through this manual before operation.

- Always wear eye protective gear.
- Never aim or shoot a person or animal as the target.
- You may be punished if you are shooting for a practical joke.
- Never look into the gun muzzle.
- Always direct the muzzle towards a safe direction.
- Never shoot the air gun at places where people and cars pass cross.
- Avoid pulling the trigger carelessly.
- Please put away your fingers from the trigger, except when you are ready to shoot a target.
- Always put the gun in a case or bag when you are carrying it.
- Store the gun at places out of reach by children.

## AK-74的故事

AK-47自1947年問世以來，數十年來席捲全球槍械市場半邊天，堅牢可靠的機械結構、7.62mm口徑的高破壞力，使得它成為突擊步槍的一代經典。

自1960年代起制式步槍小口徑化的風潮席捲全球，蘇聯軍方也在吸收了越戰的經驗之後，開始研發小口徑步槍彈及突擊步槍，最終的成果就是日後被稱為M74型的5.45x39mm小口徑步槍彈，以及AK-74突擊步槍。

AK-74突擊步槍保留了許多AK-47的基本設計，有53%的零件與AKM共通，讓原本採用AK-47的部隊節省了許多換裝訓練所需的時間，並大大減少了後勤保修的負擔，新設計的槍口制退器更是大幅減少後座力以及槍口跳動，這使得AK-74在實戰射擊上的表現大大地超過了他的前輩AK-47。自1974年正式被蘇聯軍方採用以來凡三十餘年，經歷過阿富汗戰爭跟車臣戰爭的實戰洗禮，證明了它是一把耐用、可靠的突擊步槍。

AK-74還有設計給空降部隊用的金屬摺疊托AKS-74，以及採用玻璃纖維塑料取代原本木質槍托、護木的現代化改良版AK-74M這兩款主要的衍生型。

## AK-100系列：

進入21世紀，蘇聯早已解體，昔日用來對抗西方國家的武器，如今成為爭取外匯的利器。為了符合市場需求，Izhmash公司以AK-74M為基礎，開發出採用5.56mm NATO子彈的AK-101與AK-102(AK101的縮短版)專攻西方市場，採用7.62x39mm M43子彈的AK-103、AK-104(AK103的縮短版)供仍在採用AK-47的國家選擇，以及繼續採用5.45x39mm M74子彈的AK-105，它可視為是AKS-74U的現代化改良版。

AK系列步槍自1947年發展至今已經超過半個世紀，然憑其堅牢可靠的基本架構與易使好用的特性，在經過數番改款之後，在這個新世紀中依然固守第一線突擊步槍的位置，難以撼動。

AK74系列實槍基本資料

型號	槍管長	全長	重量	口徑	裝彈數	射速
AK-74	415mm	930mm	3300g	5.45x39mm	30發	600發/分
AKS-74	415mm	694/933mm(槍托展開時)	3200g	5.45x39mm	30發	600發/分
AK-74M	460mm	705/943mm(槍托展開時)	3447g	5.45x39mm	30發	600發/分
AK-105	314mm	586/826mm(槍托展開時)	3000g	5.45x39mm	30發	600發/分

## VFC AK-74系列電槍簡介

一向追求超高品質與極致像真度的VFC公司，在推出極受市場好評的AKS-74UN電動槍之後，不負眾望地繼續推出AK-74系列的其他成員，來回饋廣大消費者的期待。

擅長金屬處理加工的VFC，秉持優良傳統，大量採用優質鋼材，來展現AK步槍質實剛健的特色。鋼製沖壓槍身、堅固扎實；真品級CED電著塗裝、質感直逼真品；優質木材壓製的槍托、護木，更是重現經典之作。內部機構方面則是採用倍受信賴的Ver.3強化型齒輪箱，配合7mm培林、EG1300高轉速馬達、高精密切粉未合金齒輪，以及超耐磨強化活塞，可持續射擊數萬發以上，性能卓越、值得信賴。

其餘的特點還包括：

- CNC一體成型外槍管。
- 上機匣機構仿真，電池裝著方便，可裝8.4V~12V電池。
- 鋼製防火帽，可旋下裝著專用滅音器。
- 槍托可摺疊(AKS-74、AK-74M、AK-105)，CQB時展現輕巧獍猛。
- 槍機拉柄行程仿真，同時便於調整Hop-Up。
- 大部分解同真品。
- N版槍身左側的鏡軌同真品規格，可直接裝上真品瞄具。
- 通槍條與表尺尺寸、結構完全真實重現。
- 上護木固定方式同實槍採彈片固定。

VFC AK-74系列不但維持了AKS-74UN成功的要素，更蒐集消費者反應的寶貴意見進行改良，精益求精、將電槍性能發展到臻至完美的境界，並持續將經典槍款電槍化以滿足消費者求真求善的極致需求。

VFC AK74系列電動槍基本資料

型號	內管長	全長	重量	口徑	裝彈數	槍口初速
AK-74	502mm	953mm	3130g	6mm BB彈	120發	90m/sec
AKS-74	502mm	710/948mm(槍托展開時)	3160g	6mm BB彈	120發	90m/sec
AK-74M	502mm	716/954mm(槍托展開時)	3200g	6mm BB彈	120發	90m/sec
AK-105	388mm	596/834mm(槍托展開時)	2800g	6mm BB彈	120發	90m/sec

## The story of AK-74

Since AK-47 has been adopted in 1947, it becomes one of major firearms in the firearms market. It sturdy, reliable, and highly destroy power in 7.62mm caliber, make it as a classical assault rifle in the world.

During 60' s, caliber smallization has became the tendency worldwide. After the combat experience in Vietnam, Russian also started to study their own small caliber ammunition. The result, is M74 type 5.45x39mm ammunition, and AK-74 assault rifle.

AK-74 assault rifle keeps several AK-47 basic design, and 53% parts interchangeable with AKM, which save a lot of time for training troops who already use AK-47, and reduce the expenses in logistic maintenance. New design muzzle brake could reduce recoil and suppress muzzle climbing efficiently, and make AK-74 has better performance in combat shooting than his predecessor AK-47. It has been through Afghanistan War and Chechen War since adopted in 1974 with Russia military, to prove its durability and reliability.

There are two major derive versions of AK-74, one is AKS-74, which uses metal folding stock for air-born troops. The other is AK-74M, uses polymer material handguard and stock instead of laminated wood material for modernize troops.

In 21 century, after USSR is disintegrated, the weapon which used to against Western nations, now is turn to export commodity. For response the demand of market, Izhmash base on AK-74M, is developing AK-101 and AK-102 (short version of AK-101) which use 5.56mm NATO ammunition to target Western market. AK-103 and AK-104 (short version of AK-103), which use 7.62x39mm M43 ammunition for rest countries who still use AK-47. Further more, AK-105 continues to use 5.45x39mm M74 ammunition, which to be treated as modernize version of AKS-74U.

It is over half century since AK has developed, relying on its durable and reliable structure, and character of easy manipulate. It still unshakeable and firmly stand in frontline position after several modifications in this new century.

Data of Actual AK-74 series

Name	Barrel	Overall	Weight	Caliber	Capacity	Cycle Rate
AK-74	415mm	940mm	3300g	5.45x39mm	30rounds	600RPM
AKS-74	415mm	694/933mm(stock extended)	3200g	5.45x39mm	30rounds	600RPM
AK-74M	460mm	705/943mm(stock extended)	3447g	5.45x39mm	30rounds	600RPM
AK-105	314mm	586/826mm(stock extended)	3000g	5.45x39mm	30rounds	600RPM

## The VFC AK-74 Series

Vega Force Company, always pursue the ultra high quality, realistic and extreme symbolize air soft. Based on the passion of customers toward the AK-74 series assault rifle, VFC specially developed their first AK-74 series airsoft gun: AK-74, AKS-74, AK-74M, AK-105 to AK fans!

Vega Force Company, as professional on the metals processes, employs steel plate this time, to express the fine texture of AK-74 series. Steel pressed receiver with realistic CED Electric Coating, also shows its sturdy and solid., and lightweight. Inside with Ver.3 reinforce gearbox mechanism, 7mm bearing, EG1300 high speed motor, precise steel gears, and high-abrasive strengthen piston. Those make VFC AK-74 series can continuing to shoot more than ten thousand BB Bullets. VFC AK-74 series are definitely the outstanding air soft.

Other features include:

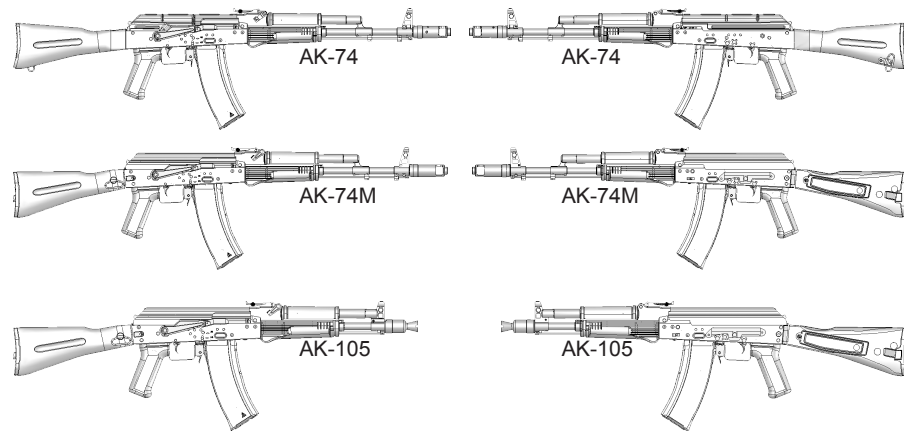
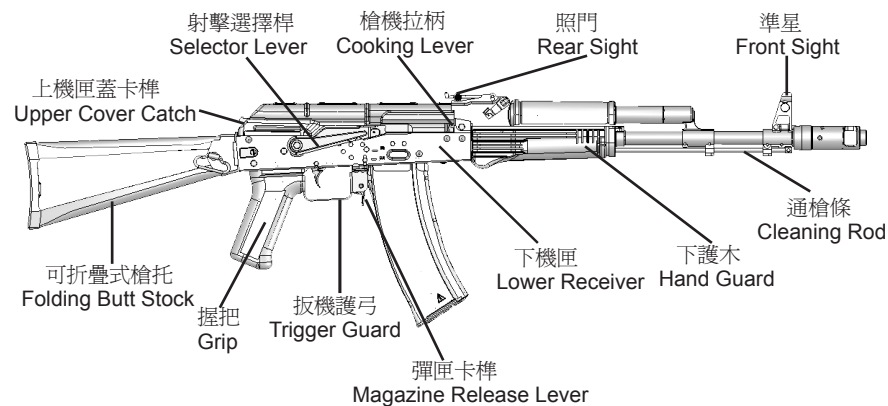
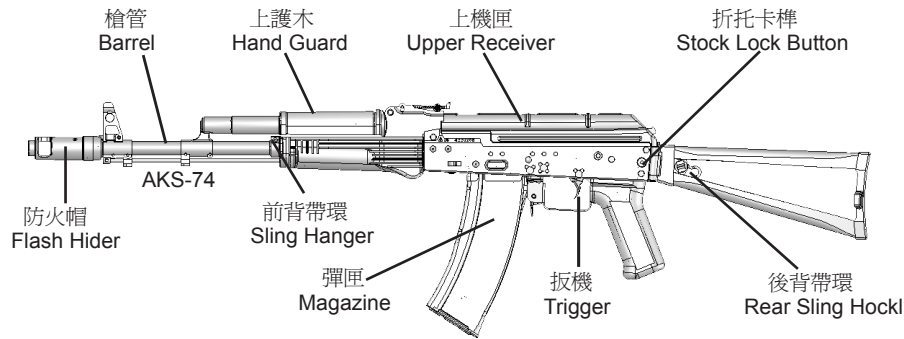
- CNC one piece outer barrel.
- Steel flash hider, could be take off and fitted with exclusive sound suppressor.
- Skeleton stock could be foled to shows compactness and dexterousness of assault rifle.
- Bolt carrier could be opened to maximum position for better adjustment of Hop-Up.
- The realistic incomplete disassembly.
- Scope rail on the left side of receiver is a standard equipment for night battle, compatible with Russian style real scope.

VFC AK-74 series not only successfully solves the AK-74 series problems, but also has creative idea and inventiveness technology, to make players "Perfect Version AK-74" dream come true. Just like Izhmash develops the best defense weapon systems to guarantee security in the frontline, VFC with best quality Electric Air Soft to make every customer's satisfaction.

Data of VFC AK-74 AEG series

Name	Inner Barrel	Overall	Weight	Bullet	Capacity	Muzzle Speed
AK-74	502mm	949mm	3130g	6mm BB	120rounds	90m/sec
AKS-74	502mm	710/948mm(stock extended)	3160g	6mm BB	120rounds	90m/sec
AK-74M	502mm	716/954mm(stock extended)	3200g	6mm BB	120rounds	90m/sec
AK-105	388mm	596/834mm(stock extended)	2800g	6mm BB	120rounds	90m/sec

# 1 各部名稱



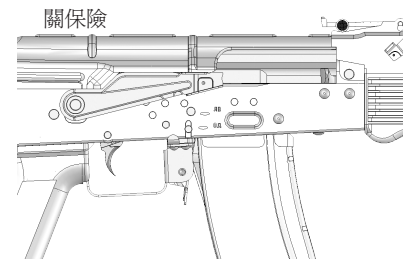
※配件會因款式不同而有所差異。  
 ※The accessory would be changed base on the different model.

# 2 保險說明

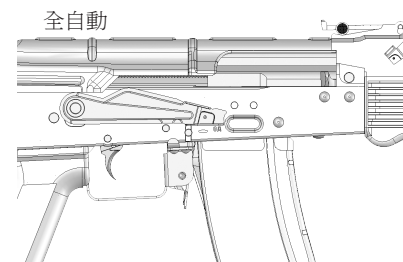
## 警告・注意

- 請勿一邊扣動扳機一邊扳動選擇鈕，否則將導致動作不良，或發生意外。
- 在關保險狀態，強制扣動有可能會導致故障。

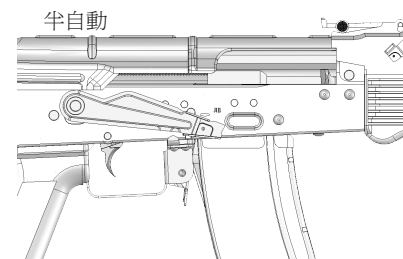
※選擇鈕未扳至正確位置有可能會導致射擊模式發生錯誤。



保險(無法扣動扳機)  
 不射擊或一般存放時，務必將選擇鈕設定至保險位置。



全自動(連發)  
 扣著扳機不放會連續發射子彈。



半自動(單發)  
 扣一次扳機只會發射一顆子彈。

## 2 Selector Lever and Safety Setting

### WARNING・CAUTION

- Never operation the Selector while pulling the trigger. Otherwise, malfunctions are possible, resulting in accidents.
- Pulling the trigger with the Selector being set to safe may damage the gun.

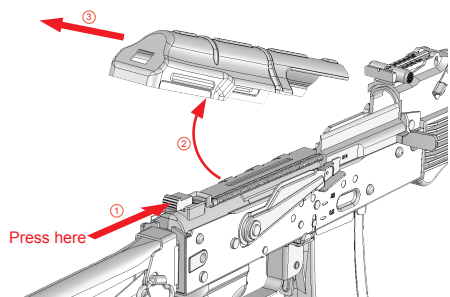
※Be careful not to catch your fingers in the moveable parts.

Safety Setting (The trigger can not be pulled)  
 Always set the lever to the Safety position when you are not firing the gun or during storage.

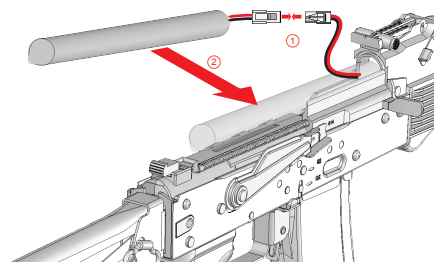
Full Auto (Automatic Shot)  
 The gun will fire automatically while the trigger remains pulled.

Semi Auto (Single Shot)  
 The gun will fire one shot each time the trigger is pulled.

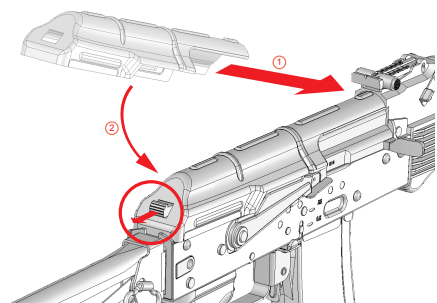
※安裝電池前先卸下彈匣。



押上上機匣蓋卡榫，可取下上機匣蓋。



裝入電池，接上電源線接頭並整理好電線。



將上機匣蓋蓋上，確認上機匣蓋卡榫有確實完全地卡住上機匣。

## 警告・注意

- 電池安裝時，請將槍口朝向安全的位置，並將選擇鈕設定於保險位置。

## 3 Setting the Battery

(Conduct operations hereafter charging the battery)

※The magazine is done under the condition that is removed.

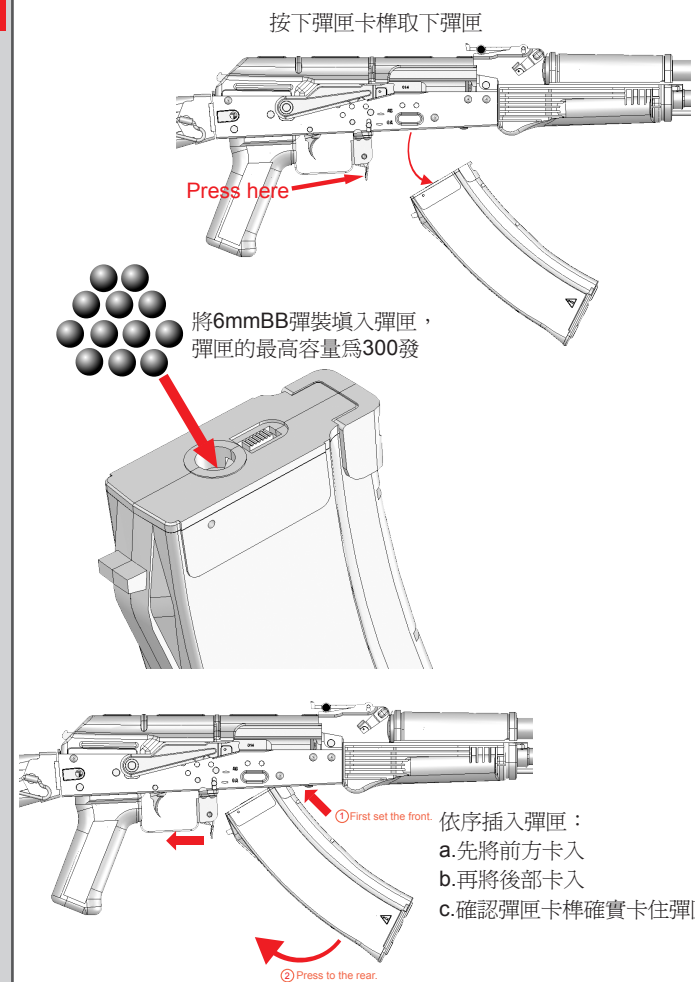
1. Press the upper cover catch button and upper cover can be opened.
2. Connect the battery to the cord that is accessible from the hole under the real sight.
3. Close the upper cover. When upper cover is set correctly, the catch button ejects out.

## WARNING · CAUTION

- Direct the muzzle towards a safe direction and set the selector lever to the Safety position.

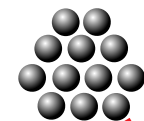
## 警告・注意

- 請使用VFC製BB彈。若因使用其他品質粗劣之BB彈所造成的故障，本公司一概不負固責任。



按下彈匣卡榫取下彈匣

Press here



將6mmBB彈裝填入彈匣，彈匣的最高容量為300發

依序插入彈匣：  
a. 先將前方卡入  
b. 再將後部卡入  
c. 確認彈匣卡榫確實卡住彈匣

② Press to the rear.

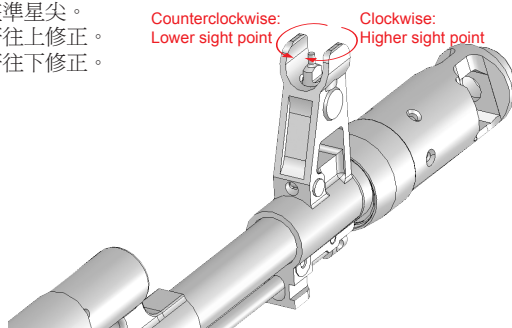
## 4 Setting the Magazine

## WARNING · CAUTION

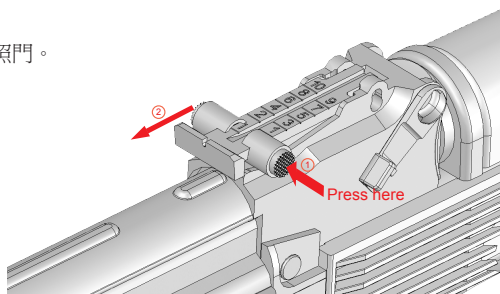
- Always use the VFC BB bullet for this air gun. We will not be held responsible for any damage and accidents arising from use of bad quality bullets supplied by other manufacturers.

1. Press the magazine release lever to remove the magazine.
2. Insert 6mm BB bullets into the magazine. The magazine is capable of containing 300 bullets.
3. Always set the magazine upwardly. First, align to the groove shown by an arrow and press in the rear of the magazine.

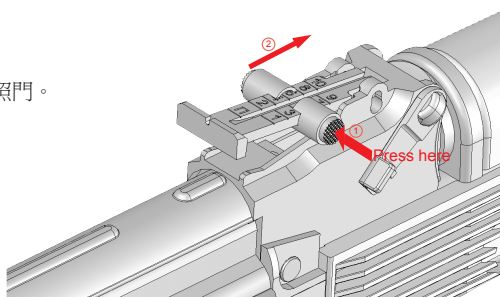
準星的調整：  
使用套筒工具調整準星尖。  
順時針旋轉，彈著往上修正。  
逆時針旋轉，彈著往下修正。



照門的調整：  
往後調整，近距離照門。



照門的調整：  
往前調整，遠距離照門。



## 警告・注意

- 旋轉照門時請小心勿被夾傷。

## 5 Setting the Front Sight and Rear Sight

## 1.Front Sight:

Insert the adjustment tool in the front sight and turn it for adjustment.  
Clockwise: Higher sight point.  
Counterclockwise: Lower sight point.

## 2.Rear Sight:

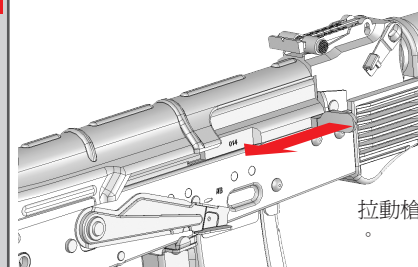
Move to Rear: Short distance  
Move to Front: Long distance

## WARNING・CAUTION

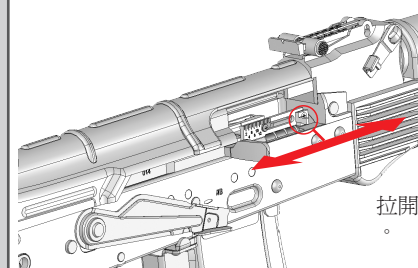
- Be carefully and don't get hurt when turning the rear sight.

## 警告・注意

- 操作槍機及拆卸防火帽時，請小心勿被夾傷。

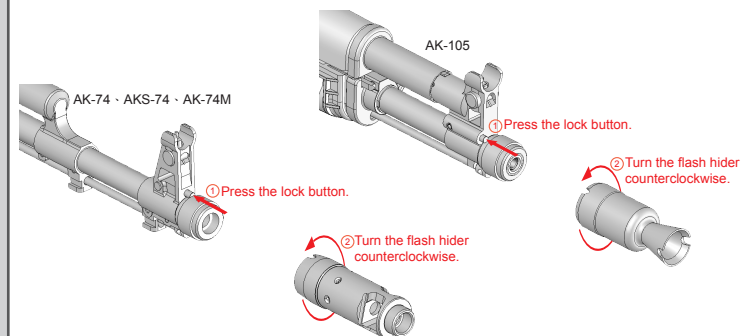


拉動槍機拉柄可將整個槍機座往後拉動。



拉開槍機座時，可以調整Hop-Up系統。

押下防火帽定位桿，逆時針旋轉防火帽，即可取下防火帽。



## 【6-1】：Bolt Carrier &amp; Flash Hider

## WARNING・CAUTION

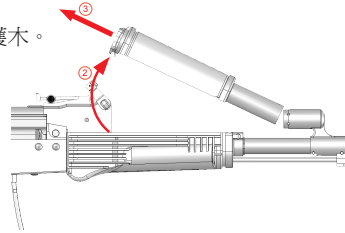
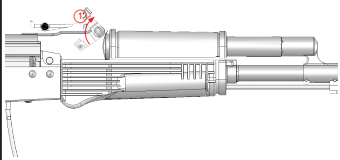
- Be carefully not to catch your fingers when operating the bolt carrier and flash hider.

※Be careful not to catch your fingers in the movable parts.

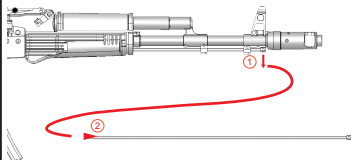
1. Pull the cocking lever to move the bolt carrier.
2. Open bolt to adjust the Hop-Up system.
3. Pressing the flash hider plunger, and then remove by turning the flash hider counterclockwise.

## 【6-2】：護木的拆卸

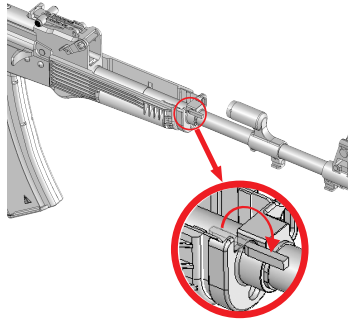
上護木的拆卸：  
將上護木固定桿往上扳，即可取下上護木。



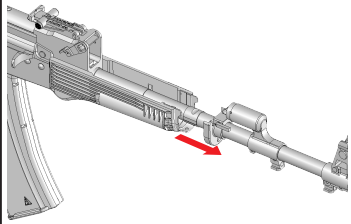
下護木的拆卸：  
1. 取下通槍條。



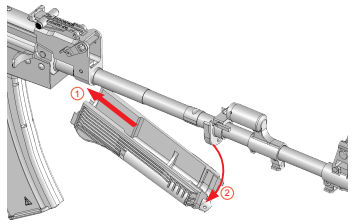
2. 將下護木固定桿往前扳。



3. 將下護木固定環往前推。



4. 將下護木略往後押，就可取下。



### 警告・注意

- 更換護木時請小心勿被夾傷。

## 【6-2】：The Hand Guard

※Be careful not to catch your fingers in the movable parts.

1. Need to open the upper cover to take out the upper hand guard set. Put the upper hand guard set first to close the upper receiver.
2. Winds the upper hand guard, make the hand guard and gas tube; the same way while assemble.
3. Pull the lower hand guard locking lever back, and push the fasten base ahead. Pull back the lower hand guard back and down to take off the lower hand guard. (The opposite way while assemble.)

### WARNING・CAUTION

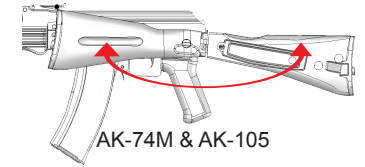
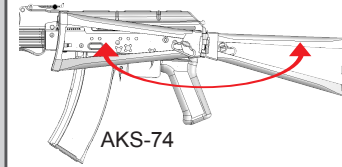
- Be careful of the direction of screw driver when detaching the hand guard.

## 【6-3】：槍托

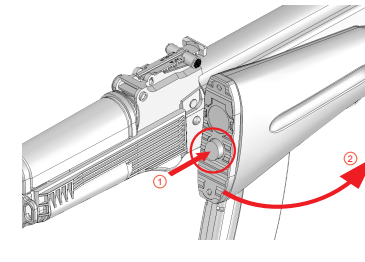
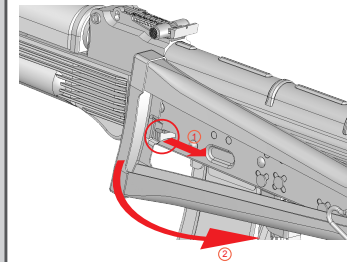
### 警告・注意

- 裝配瞄鏡時，折托需固定在後方。
- 操作折托時，請小心勿被夾傷。

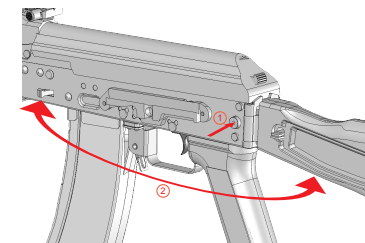
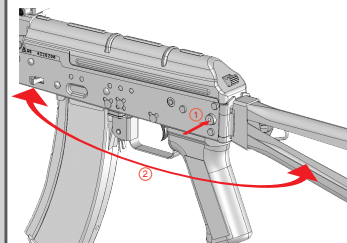
AKS-74、AK-74M、AK-105的槍托可以往槍身左側摺疊。



將折托固定勾往後扳，可以釋放折托，此時可以往後伸展。



按下折托卡榫，可以釋放折托，此時可往槍身左側收納。



## 【6-3】：The Folding Stock

### WARNING・CAUTION

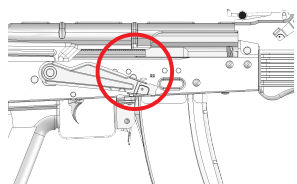
- While using the scope, the stock must be fixed to rear side.
- Be careful and do not get hurt when using the folding stock

※Be careful not to catch your fingers in the movable parts.

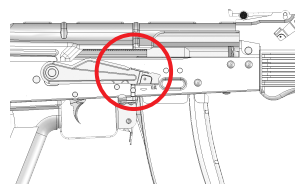
1. With the AKS-74, AK-74M, AK-105, the stock can be stored by folding it to the left side.
2. Pull the stock hook to release the stock. It can be folding to rear side.
3. Push the stock lock button to release the stock. It can be folding to left side.

※確認完全安全的情況下，方可進行射擊。

1. 將射擊選擇鈕設定在半自動或全自動位置。

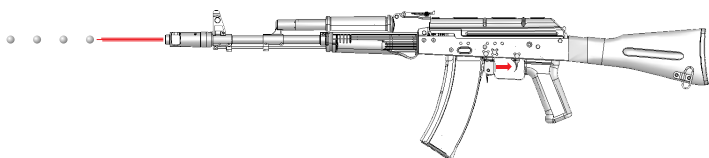


半自動位置  
Semi-Auto



全自動位置  
Full-Auto

2. 扣扳機即可發射



#### 注意

- 隨意扣動扳機非常危險。在確認射擊之前，請勿將手指放在扳機上。
- 裝上彈匣後，扣扳機第一發有可能是單發，此並非故障。

#### 警告・注意

- 在半自動射擊時，有時會發生扣扳機卻沒有反應的情形。此時切換到全自動模式，射擊5~6發後，再切回半自動模式，將會恢復正常運作。

## 7 Firing

※Confirm safety sufficiently before beginning firing.

1. Set the selector lever to Semi or Full Auto.
2. Pull the trigger.

#### CAUTION

- Activating the trigger carelessly is extremely dangerous. Never put your finger onto the trigger unless you are ready to shoot a target.
- A blank firing may occur at triggering after setting the

#### WARNING・CAUTION

- There are possible cases that no firing occurs after pulling the trigger in the semi auto mode. In this case, do not pull the trigger furiously. Fire 5 to 6 shots in the full auto mode and then return th the semi auto operation.

#### 警告・注意

- 請勿使用WD40、CRC556或其他礦物油。
- 射擊前請注意第二頁的警告事項。

#### ◎射擊終了時

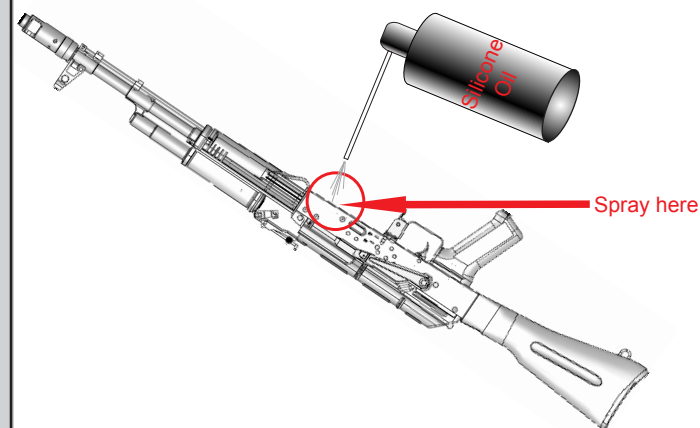
- 拔下彈匣，往安全的方向全自動射擊2~3發，再切到半自動射擊1發以釋放彈簧，最後切回保險的位置。
- 彈匣雖未裝彈，但須注意槍膛內可能還會有殘彈。

#### ◎馬達與電池的注意事項

- 射速減緩時，請將電池取下並予以充電。
- 馬達與電池在連續射擊500發之後，為避免過熱，請休息5~10分鐘。

#### ◎卡彈時的處理

- 當卡彈發生時，將BB彈清理掉，並從彈匣進彈口噴入些許矽油，以保持含彈橡皮的潤滑度。



#### WARNING・CAUTION

- Never use WD40, CRC556 or other mineral oil.
- Please read the warning on page 2 before shooting.

#### ◎After Operation

- Remove the magazine and dry fire the gun in the semi auto mode directing the muzzle to a safe direction. (Otherwise, the spring may be weakened.) Set the selector to the safe position.
- Bullets may remain in the chamber even if the magazine contains no bullets (or if the magazine is not connected).

#### ◎Cautions on Motor and Battery

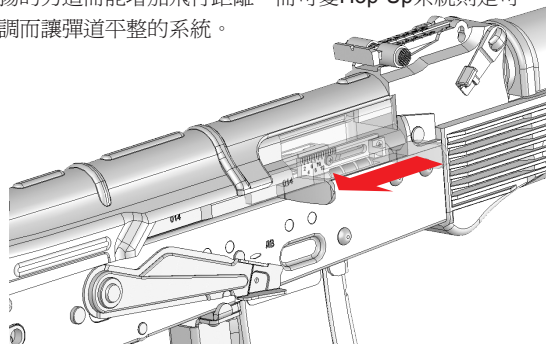
- Charge the battery if the firing cycle becomes slow.
- give the air gun a rest for 5 to 10 minutes after firing about 500 rounds, in order to ensure long service lives of the motor and battery.

#### ◎When Bullets Are Clogged

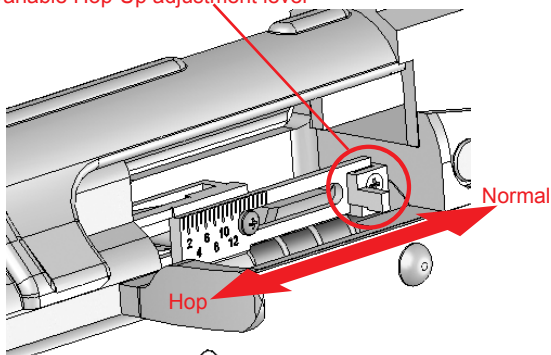
- If bullets are clogged, remove them and apply a few drops of silicone oil into the chamber from the magazine entrances or spray silicone oil for 0.5 to 1 sec to obtain smooth continuous firing.

※在拉開槍機座調整Hop-Up時，慎防夾手。

所謂的Hop-Up是藉由橡皮給BB彈特定方向的回轉，使之保持上揚的力道而能增加飛行距離。而可變Hop-Up系統則是可微調而讓彈道平整的系統。



Variable Hop-Up adjustment lever



- 拉開槍機時，可以調整Hop-Up。
- 調整桿往Hop的方向旋轉，則可以讓彈道上揚。
- 調整過頭或不足會影響彈道的表現。

#### 警告・注意

- Hop-Up調整過頭會造成卡彈。卡彈時持續擊發則會造成齒輪箱內部零件損毀。所以調整過頭時而造成卡彈時，請停止射擊，並將Hop-Up釋放，重新調整。

## 8 Variable Hop-Up System

※Be careful not to catch your fingers in the dummy bolt.

By giving rotation of the fixed direction to BB bullet, a lift is given and it flies horizontally toward a long distance target. Variable Hop-Up system can tune finely that a spin starts.

- Open bolt to adjust the Hop-Up system.
- Gradually turn the adjustment lever towards Hop to give hop up to bullets. (The best setting is where bullets fly horizontally.)
- Turning excessively adversely affects the trajectory. So, stop turning the dial when bullets fly horizontally.

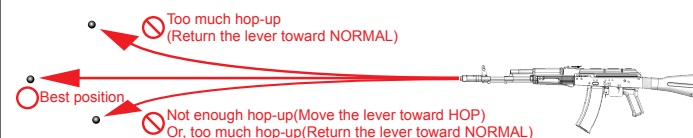
#### WARNING・CAUTION

- Moving the dial too much towards Hop causes bullets to clog. Adjust again after stopping shooting immediately, returning the dial to the Normal side and canceling hop, since a piston and gears will be damaged, if it continues shooting then.

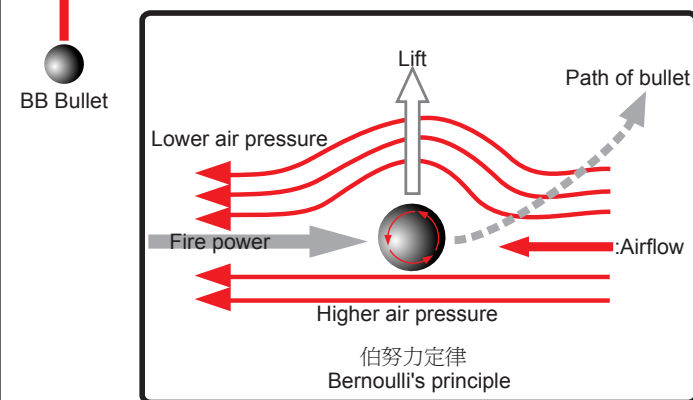
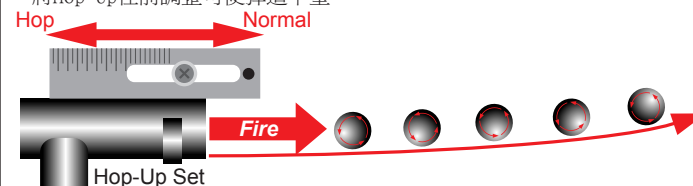
#### 警告・注意

- Hop-Up系統會造成彈道彎曲。若槍倒下來射擊時，BB彈會大幅度往左右邊飛行而造成危險。所以請保持正常的射擊姿勢。
- 當射擊10000發以上，可噴少許矽油在Hop橡皮以進行保養。(約0.5到1秒即可)

如下圖所示，BB彈保持水平彈道為最佳位置，而飛行距離也會增加。



- 將Hop-Up往後調整會使彈道上飄。
- 將Hop-Up往前調整可使彈道下墜。



## 8 Variable Hop-Up System

#### WARNING・CAUTION

- Never hold the gun sideways as the BB bullets will curve right or left. This is due to the Hop-Up system.
- When about 10,000 rounds are fired, spray silicone oil to the chamber for 0.5 to 1 sec.

1. The best position is where the bullets fly horizontally, and the longest flying distance is obtained.
2. Backward Hop-Up, pellet will float up.
3. Forward Hop-Up, pellet will fall down.

## Hop-Up故障排除

狀態	原因	處理方法
彈著上飄	Hop-Up調整過頭	調整桿往前調整。
BB彈飄不起來 (Hop-Up無作用)	Hop-Up調整過頭	調整桿往前調整。
	Hop橡皮有油污附著	清除油污。
	Hop橡皮破損	向經銷商或VFC購買零件來維修。
無法調整	調整桿或其他零件損壞	向經銷商或VFC購買零件來維修。
卡彈	Hop-Up調整過頭	調整桿向前調整，解除後再度調整。
	BB彈不良	請使用VFC優質BB彈
	Hop橡皮髒污	清除髒污

## When Hop-Up is improper

Symptom	Cause	Action
Bullets flying upwards	Too much hop setting.	Gradually return adjustment lever towards Normal.
Short flying distance of bullets (less hop-up effect)	Too much hop setting.	Gradually return adjustment lever towards Normal.
	Hop packing contaminated by oil or dirt.	Clean using the cleaning rod or consult your dealer or VFC for repair
	Worn or damaged hop packing.	Purchase the replacement part at your dealer or from VFC and replace it.
Can not adjust	Damaged adjustment lever or other parts	Purchase the replacement part at your dealer or from VFC and replace it.
Frequent bullet clogging	Too much hop setting.	After the adjustment lever is returned to anormal side, and the hop is released, it adjusts again.
	Improper or too large sized BB bullets.	Use the BB bullet supplied by VFC.
	Dirty hop packing	Clean using the cleaning rod or consult your dealer or VFC for repair

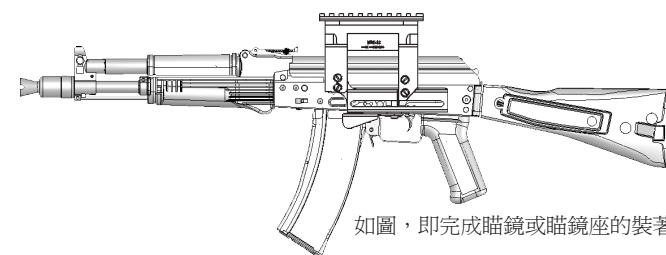
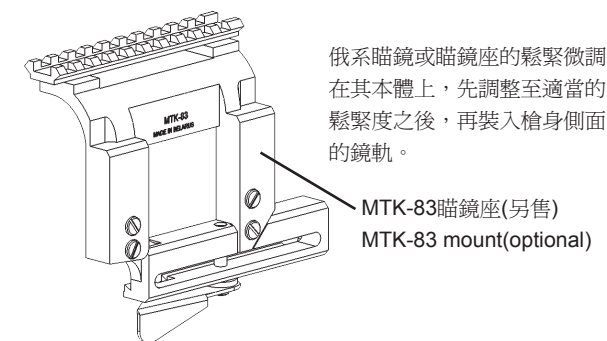
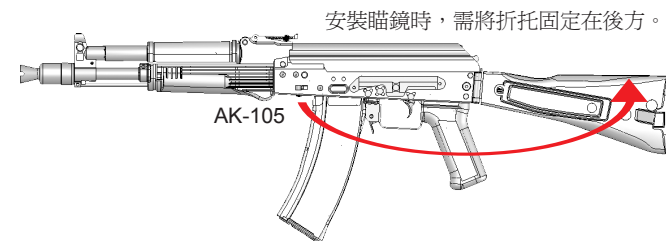
## 9 配件的裝著

### 警告・注意

- 在瞄鏡裝著的状态下，上機匣蓋無法打開。

※瞄鏡座是AK-74M以及AK-105的標準配備

※在AK-74、AKS-74則為選購配備



## 9 Setting the option

### WARNING · CAUTION

- While using scope, the upper cover can not open.

※The side-mounted rail is a standard equipment of AK-74M and AK-105, but optional for AK-74, AKS-74.

- 1.While using the scope, the stock must be fixed to rear side.
- 2.Russia style scope and scope adapter, you have to adjust it slightly loosen and tighter to the appropriate degree and assemble the rail aside.
- 3.As attached picture, assemble completed.

# 10 故障排除

狀態	原因	處理方法
無法動作	選擇鈕位於關保險位置	開保險。
	電池未充電	電池充電。
	電池接頭未連接	電池接頭確實連接。
	電池接頭正負極接反	正確連接電極。
	馬達老化(約5~6萬發)或接點不良	更換馬達或修理接點。
馬達有轉動但BB彈無法擊發	彈匣內BB彈卡彈	清除彈匣內的卡彈
	槍膛內BB彈卡彈	清除槍膛內的卡彈
	齒輪損壞	向經銷商或VFC購買零件來維修
無法全自動射擊	電池電力不足	電池充電。
	彈匣給彈不良	清除彈匣內的卡彈。
無法半自動射擊	齒輪未正確歸位	切到全自動射擊5~6發後，再切成半自動射擊。

## 10 Trouble Clinic (Trouble shooting)

Symptom	Cause	Action
No operation at all	Selector lever is set to safety.	Set the selector lever to fire.
	Battery is no charged.	Charge the battery.
	Battery connector is disconnected.	Connect the connector.
	The + and - of battery connector is reversed.	Connect the connector correctly.
	Fuse is blown out.	Replace the fuse.
Although motor is revolving gun doesn't fire	Bullets are clogged inside the magazine	Insert the charging rod into the magazine and move it up and down a few times to remove clogged bullets.
	Bullets are clogged in the chamber.	Remove clogged bullets using the cleaning rod.
	Faulty gear	Purchase the replacement gear from your dealer or VFC and repair.
Malfunction of full auto operation (automatic firing)	Insufficient battery power	Charge the battery.
	Faulty bullet feed of magazine	Repair clogging of the magazine.
Malfunction of semi-auto operation	Poor electrical connection	Consult your dealer or VFC for overhaul maintenance or repair.

# 10 故障排除

狀態	原因	處理方法
無法半自動射擊	電池電力不足	電池充電。
	接點不良	向經銷商或VFC購買零件來維修。
連射速度低落	電池電力不足	電池充電
BB彈射程變短	槍膛橡皮磨損	向經銷商或VFC購買零件來維修
	氣筒O環磨損	
	氣筒彈簧彈性疲乏	
	BB彈不良，太小或太重	請使用VFC優質BB彈
動作聲音異常	矽油耗盡	在槍膛添加數滴矽油
	空擊太過造成齒輪異常	向經銷商或VFC購買零件來維修。
	齒輪損壞	
BB彈從槍口掉落	槍膛橡皮磨損	請使用VFC優質BB彈
	BB彈太小	

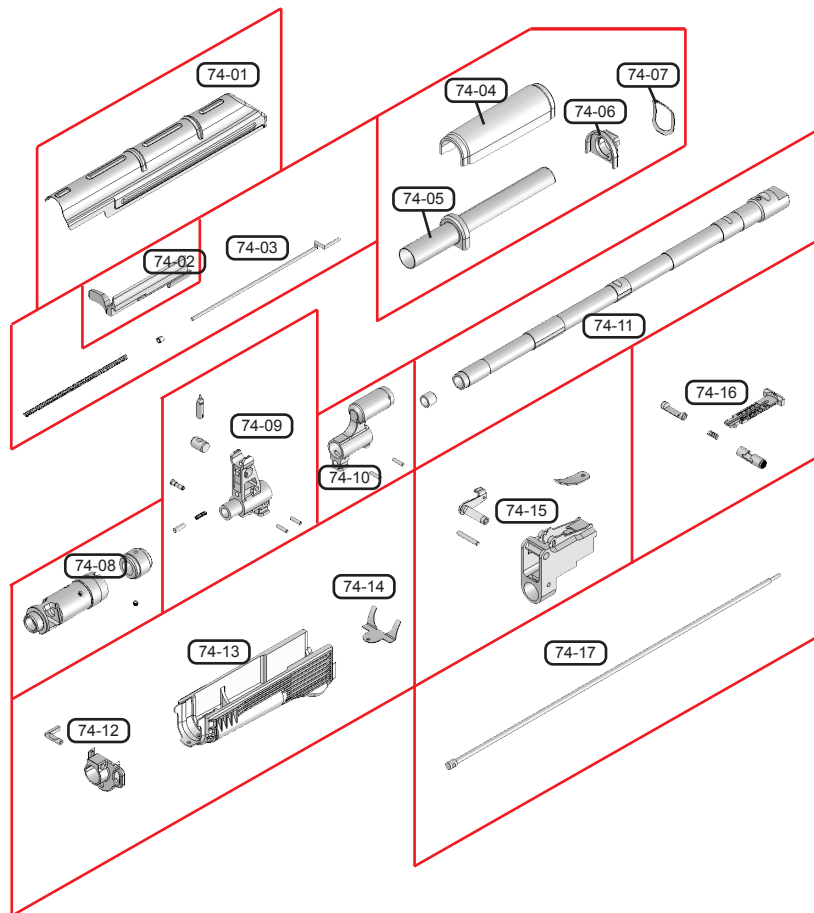
## 10 Trouble Clinic (Trouble shooting)

Symptom	Cause	Action
Malfunction of semi-auto operation (single shot)	Insufficient battery power	Charge the battery.
	Poor electrical connection	Consult your dealer or VFC for overhaul maintenance or repair.
Automatic firing cycles become slow	Insufficient battery power	Charge the battery.
Shooting distance becomes shorter.	Worn or damaged chamber packing	consult your dealer or VFC for overhaul maintenance or repair. Replace the chamber packing., piston packing(O-ring) and piston assembly.
	Worn or damaged piston packing(O-ring)	
	Deteriorated piston spring	
	Faulty BB bullets (too small or heavy)	Use the genuine VFC BB bullets.
	Shortage of Silicone oil	Drop a few drops of silicone oil from under the chamber
Overly loud operating noise	Gear problems caused by excessive blank firing	consult your dealer or VFC for overhaul maintenance or repair. Replace the chamber packing., piston packing(O-ring) and piston assembly.
	Worn or damaged gear	
Bullets falling out from barrel end	Gear problem caused by excessive blank firing	Use the genuine VFC BB bullets.
	Worn or damaged chamber packing	

# 11 分解圖、零件表 / PARTS LIST

VEGA FORCE COMPANY AUTOMATIC ELECTRIC RIFLE SERIES

AK-74

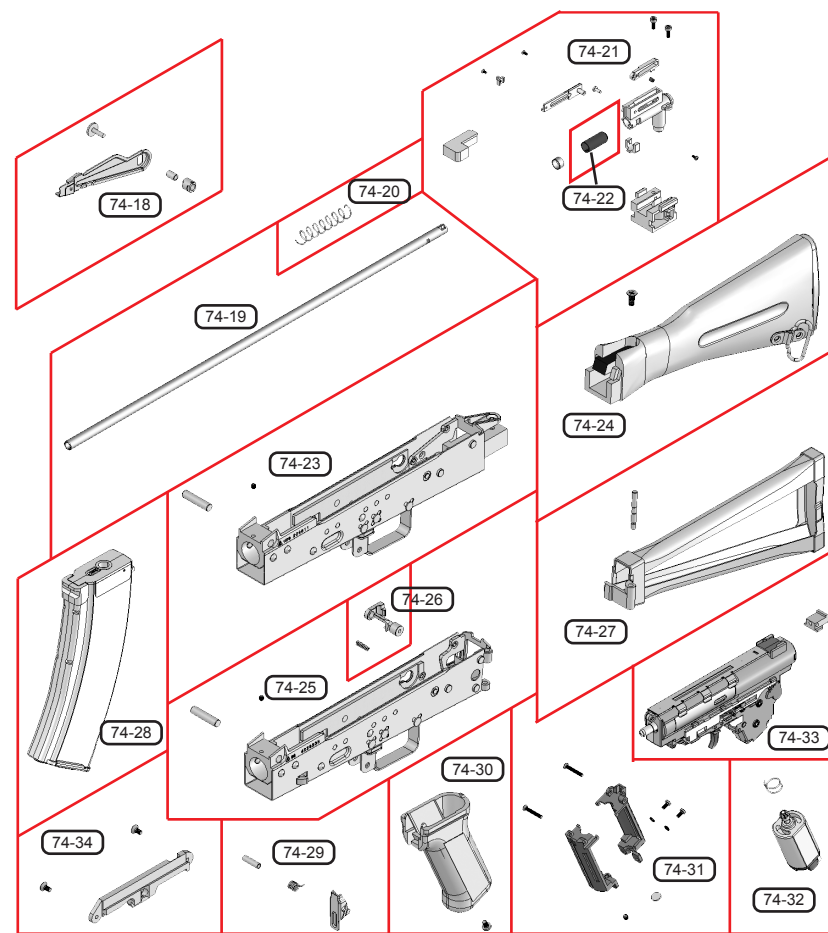


No.	零件名稱	Parts Name	Price	No.	零件名稱	Parts Name	Price
74-01	機匣蓋	Upper receiver	NT1,500	74-10	瓦斯導管組	Gas chamber	NT 500
74-02	槍機拉柄	Bolt carrier	NT1,500	74-11	外槍管組	Outer barrel	NT2,200
74-03	復進桿組	Recoil rod set	NT 300	74-12	下護木固定環	Lower handguard fasten base	NT 300
74-04	上護木	Upper handguard	NT1,500	74-13	下護木	Lower handguard	NT1,500
74-05	瓦斯鋼管組	Gas tube	NT 350	74-14	下護木固定簧	Lower handguard spring	NT 150
74-06	上護木固定環	Upper handguard fasten base	NT 200	74-15	照門座	Rear sight base	NT1,200
74-07	上護木固定簧	Upper handguard spring	NT 100	74-16	照門組	Rear sight set	NT1,200
74-08	防火帽組	Flash hider set	NT1,800	74-17	通槍條	Cleaning Rod	NT 300
74-09	準星組	Front sight set	NT1,500	74-18	射擊選擇桿組	Selector lever set	NT 150

# 11 分解圖、零件表 / PARTS LIST

VEGA FORCE COMPANY AUTOMATIC ELECTRIC RIFLE SERIES

AK-74



	零件名稱	Parts Name	Price	No.	零件名稱	Parts Name	Price
74-19	內槍管	Inner barrel	NT1,200	74-28	120發彈匣	120 Rounds Magazine	NT 650
74-20	內槍管彈簧	Inner barrel spring	NT 150	74-29	彈匣卡榫組	Magazine release lever	NT 250
74-21	Hop-Up組	Hop-Up set	NT1,000	74-30	握把	Grip	NT 200
74-22	Hop-Up橡皮	Hop-Up packing	NT 100	74-31	馬達固定座組	Motor holder set	NT 400
74-23	AK-74下機匣	AK-74 lower receiver	NT6,000	74-32	馬達	Motor	NT1,000
74-24	AK-74固定托	AK-74 fixed stock	NT3,000	74-33	齒輪箱組	Gear box set	NT3,000
74-25	AKS-74下機匣	AKS-74 lower receiver	NT5,000	74-34	瞄鏡座	Side-mounted rail	NT1,500
74-26	折疊脫釋放鈕	Stock lock button	NT 800				
74-27	AKS-74折疊托	AKS-74 folding stock	NT3,000				

**【有限保固】**

- 本產品自購買日起，本公司提供一個月或30,000發的有限保固(以先達到條件者為準)。
- 保固範圍：齒輪箱內部零件。(不包含馬達)
- 本產品經過嚴密之檢查與試驗，在保證期間內產品因正常使用而發生故障，經本公司認證之技術人員確認爲製造或材料上之瑕疵時，本公司將負責免費維修。
- 以下情形，本公司將不負責保證責任：
  - 未登錄槍之序列號碼者。
  - 非本公司認證之技術人員修裝而導致之故障。
  - 經查驗非本公司經銷商所銷售之槍型，無法提供註冊卡及經銷商蓋印章者
  - 因火災或其他天災、地變等因素所導致之故障。

**【零件維修】**

- 本產品在正確及適當的使用方法下操作，約30000發以後，Hop-Up橡皮等消耗性零件仍有交換的必要。像是超過保固期限的耗材，或因操作疏失所發生的故障以及保養的場合，可透過經銷商或直接向本公司訂購備用零件。
- 有序列號碼的零件本公司無法提供相同序列號碼的零件。
- 訂購的方法請參考VFC網站<http://www.gb-tech.com.tw>
- 下列行爲本公司將不提供保固，亦不提供零件服務：
  - 任何外觀上的改造或變更原來內部構造所發生之故障。
  - 未依說明書所示之正確使用方法，不論是故意或過失因素所發生之故障。

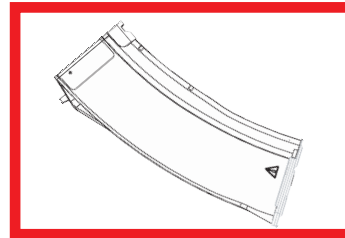
## 12 After Service

**Limited Warranty**

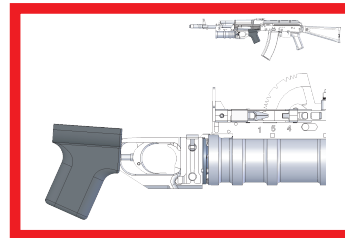
- Vega Force Company (VFC) warrants the AK-74 AEG against defects in materials and workmanship for a period of one month or 30,000 rounds BB bullets shoot from the date of original purchase ( "Warranty Period" ).
- Warranty coverage: Internal parts of gearbox. The cosmetic parts and electric motor are not cover by warranty.
- We inspect and test each product before delivery to customer. In warranty period, the repair service will be provide by ours certify technician after determine the problem or damage defects in materials and workmanship.
- This warranty does not apply: (a) to damage caused by accident, abuse, misuse, misapplication, or non-VFC products; (b) to a product or a part that has been modified without the written permission of VFC or his agent; or (c) to no register your series number with VFC with in 7 days of purchase date; (d) to if any VFC serial number has been removed or defaced; or (e) to disassembly or modify by unauthorized person; (f) to the products not purchase from VFC authorize dealer with valid warranty card.

**Maintenance & Replacement Parts**

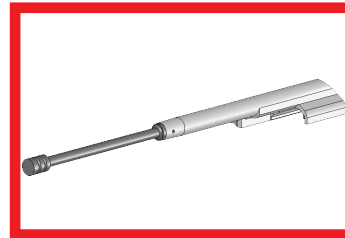
- The Hop-Up bucking and few parts will be recommended to change each 30,000 rounds BB bullets shoot.
- We may unable to provide match series number on replacement parts.
- If you unable to obtain locally, Please check <http://www.gb-tech.com.tw> for more information.



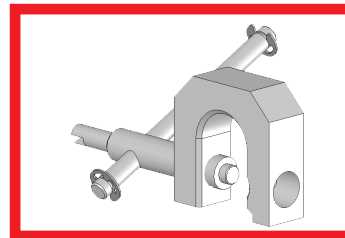
備用彈匣  
Spare Magazine



專用榴彈發射器  
GP-30



仿真槍機  
Dummy Bolt



準星調整工具  
Sight Adjust Tool

FN SCAR/L



FN FNC

