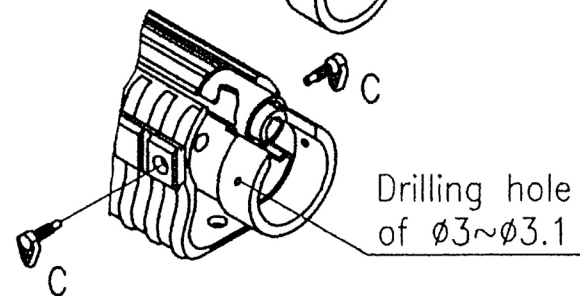
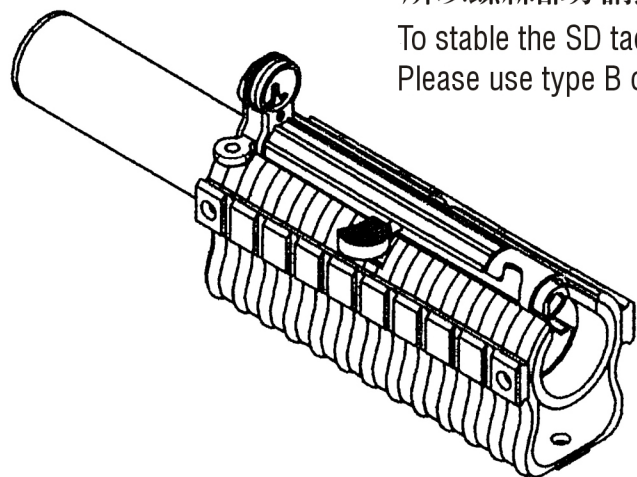


使用B型尖頭螺絲穿過軌道及護木與槍機組件鎖住
(未鑽孔,使用B型尖頭螺絲自攻鎖緊)

Using type B screw for securing the rail and handguard to the front part
(without needing drilling hole)

B or C
爲了使SD戰術護木不容易晃動,所以螺絲部分請選擇使用B或C
To stable the SD tactical handguard from wobbling.
Please use type B or C screw.



Drilling hole
of $\phi 3 \sim \phi 3.1$

使用C型特殊螺絲穿過軌道及護木與槍機組件鎖住
(可自行鑽孔 $\phi 3 \sim \phi 3.1$,使用C型特殊螺絲鎖緊)

Using type C screw for securing the rail and handguard to the front part
(needing drilling hole of $\phi 3\text{mm}$)